

> EMN90-CHX

9.0" ELITE PI STANDARD / MAX



ELITE PI® Standard

9.0" ELITE PI STANDARD / MAX

The MICRO COMM® Elite PI® Standard is the entry level platform for a property looking for something more than a typical position indicator. With a full 256 color TFT screen, the Elite PI® Standard can be customized with your property logo or an image of the building. This position indicator is capable of relaying information to passengers regarding the elevator's current position and direction, arrival arrows, along with priority messages from the controller. It's also designed to be a destination type display showing floors served when in destination mode. These units also have a non-movement selectable time blanking to help preserve backlight life. The Elite PI® Standard doesn't support custom customer messages; for custom content management on the display, choose the Elite PI® PRO product line.

TYPICAL APPLICATIONS:

- > Car Operating Panel
- > Car Transom
- > Lobby/arrival
- > Destination Display

FEATURES:

- > Passing Chime Output
- > Self Testing
- > Low Voltage
- > Backlight Saver Function / Default on 30 Minutes
- > USB Updatable
- > MicroComm® Input
- > Voice Capabilities

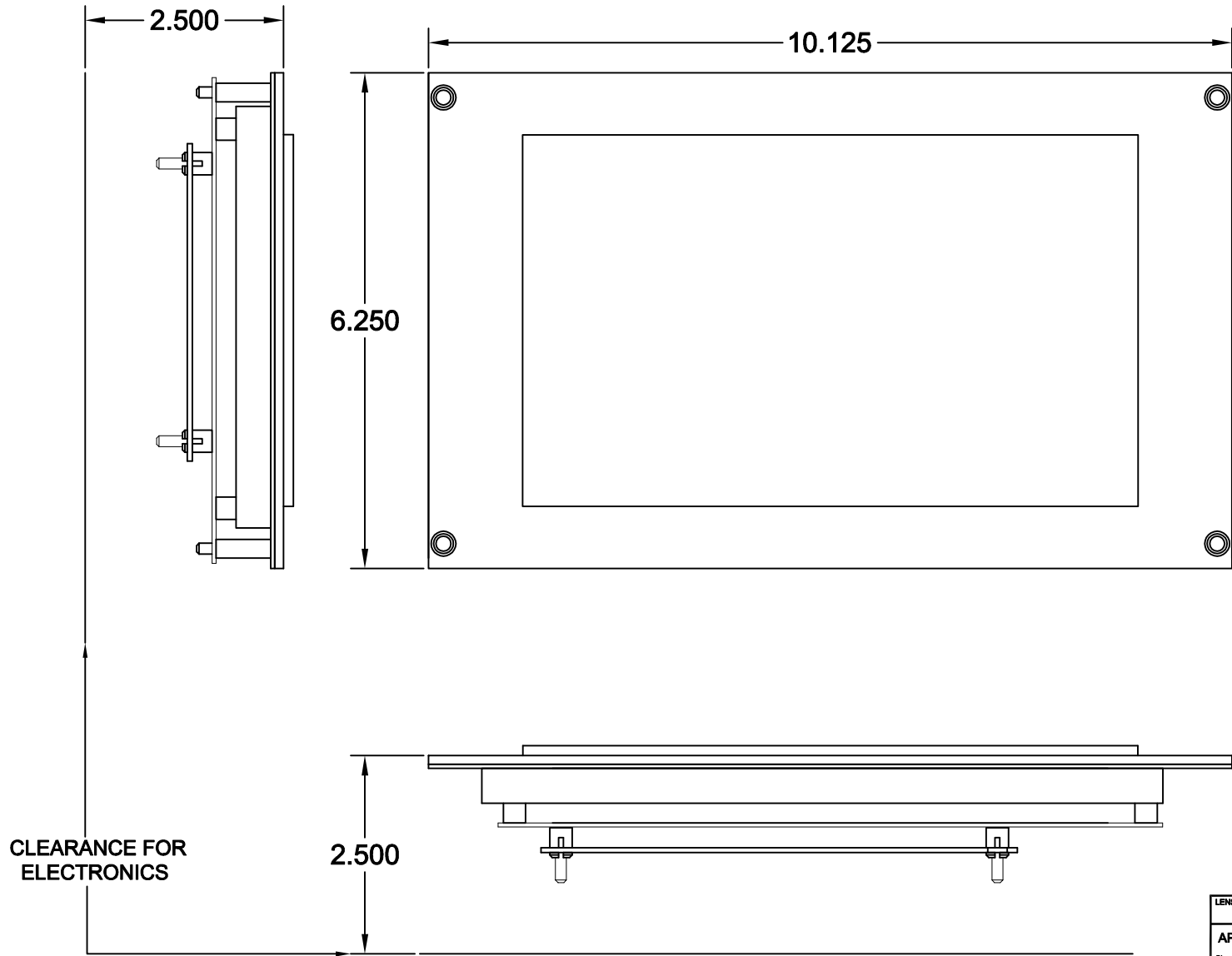


C.E. Electronics, Inc. (US) 2107 Industrial Drive, Bryan, Ohio 43506 p: 419.636.6705 www.cееlectronics.com


C.E. Electronics, Ltd. (UK) P.O. Box 1679 Marlow, Bucks SL7 3ZG, UK p: +44 (0) 1628 487633 www.cееlectronics.co.uk

DD90-5

Ver. 1 Rel. 4/13/2015

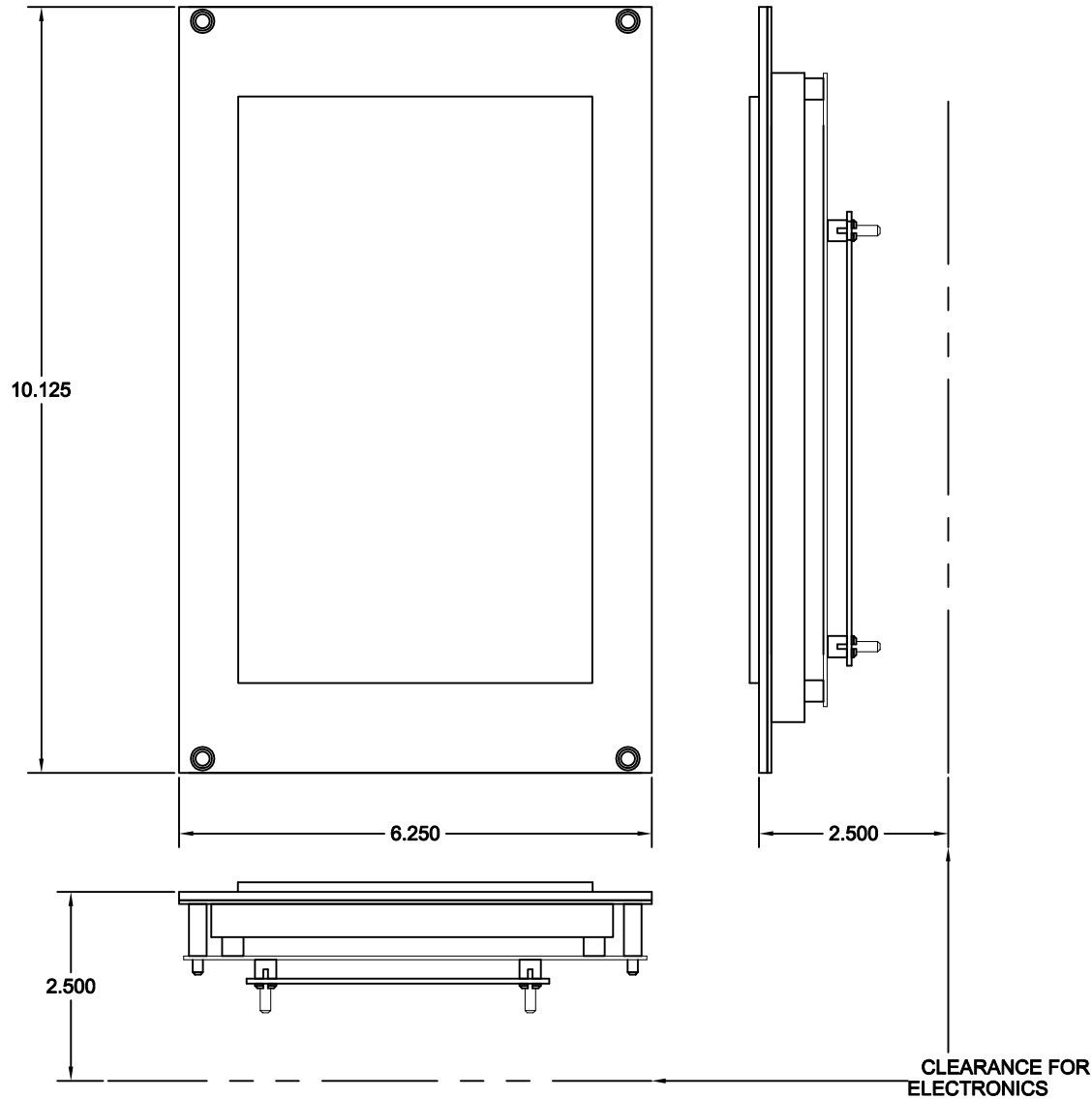


LENS NUMBER:	BOARD # & REV:
APPROVED BY:	
Signature:	
Date:	
Company:	


DATE DRAWN: 4/13/2015	LAST DATE REVISED .	SCALE NTS	PART #:
DRAWN BY: DWS	TOLERANCE UNLESS OTHERWISE SPECIFIED: ±.015		 C.E. ELECTRONICS, INC. 2107 Industrial Drive Bryan, Ohio 43506 (419) 636-6705
REQUESTED BY: TE	TOLERANCE FOR CUTOUT (WINDOW): .		
TITLE:	DWG. NO. DD90-5	REV:	.

DD90-6

Ver. 1 Rel. 4/13/2015

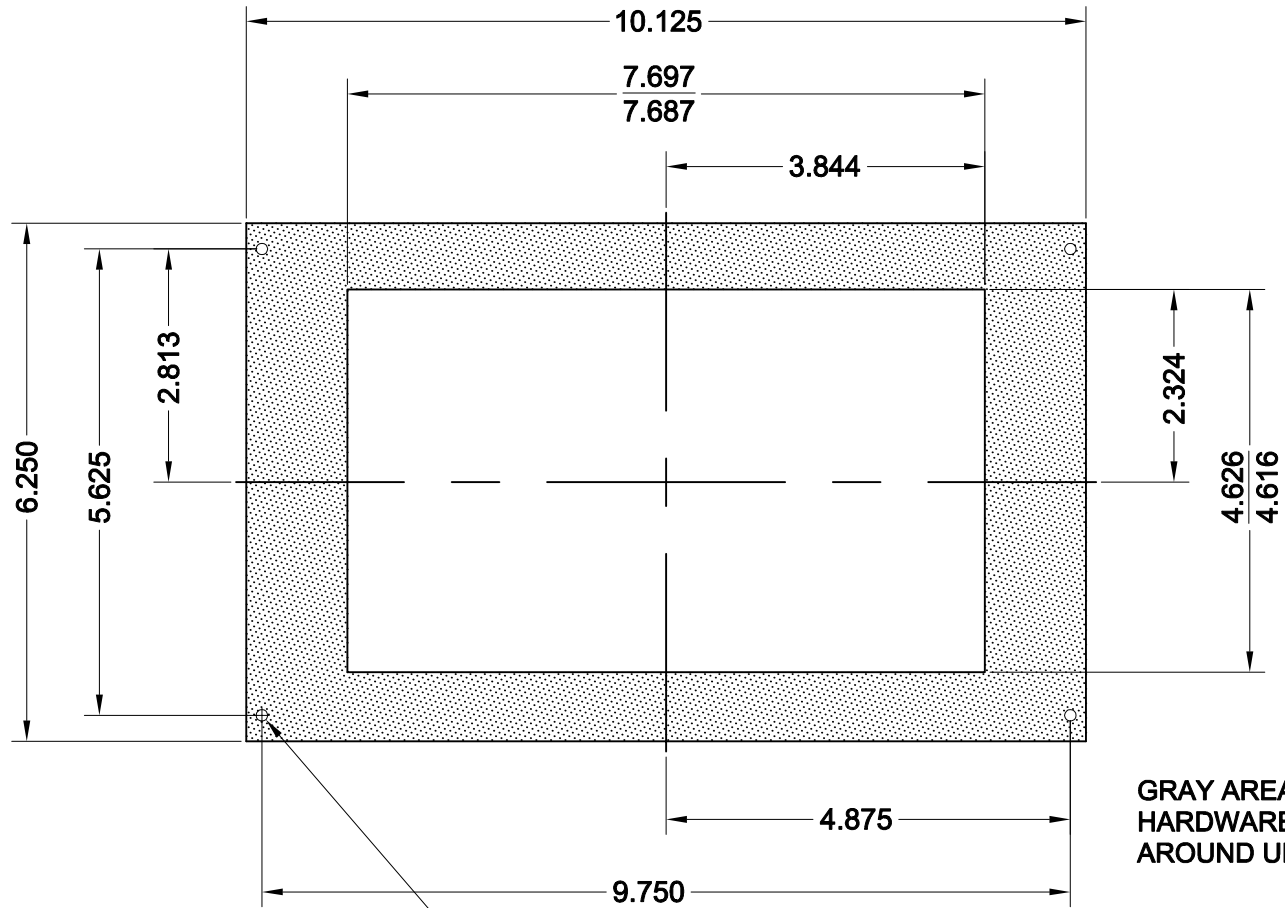


LENS NUMBER:	BOARD # & REV:
APPROVED BY:	
Signature: _____	
Date: _____	
Company: _____	

DATE DRAWN: 4/13/2015	LAST DATE REVISED:	SCALE NONE	PART #:
DRAWN BY: DWS	TOLERANCE UNLESS OTHERWISE SPECIFIED:		 C.E. ELECTRONICS, INC. 2107 Industrial Drive Bryan, Ohio 43506 (419) 636-6705
REQUESTED BY: TE	TOLERANCE FOR CUTOUT (WINDOW):		
TITLE:	DWG. NO. DD90-6	REV:	

PP90-5

Ver. 1 Rel. 4/17/2015



GRAY AREA INDICATES
HARDWARE SPACE
AROUND UNIT

#6-32 x 1 STUD MIN.
4 PLACES

LENS NUMBER:	BOARD # & REV:
APPROVED BY:	
Signature: _____	
Date: _____	
Company: _____	

DATE DRAWN: 4/17/2015	LAST DATE REVISED:	SCALE: NONE	PART #:
DRAWN BY: DWS	TOLERANCE UNLESS OTHERWISE SPECIFIED: ±.015		C.E. ELECTRONICS, INC. 2107 Industrial Drive Bryan, Ohio 43506 (419) 636-6705
REQUESTED BY: TE	TOLERANCE FOR CUTOUT (WINDOW):		
TITLE: EMN90-CHX PANEL PREP			DWG. NO. PP90-5
			REV:

