



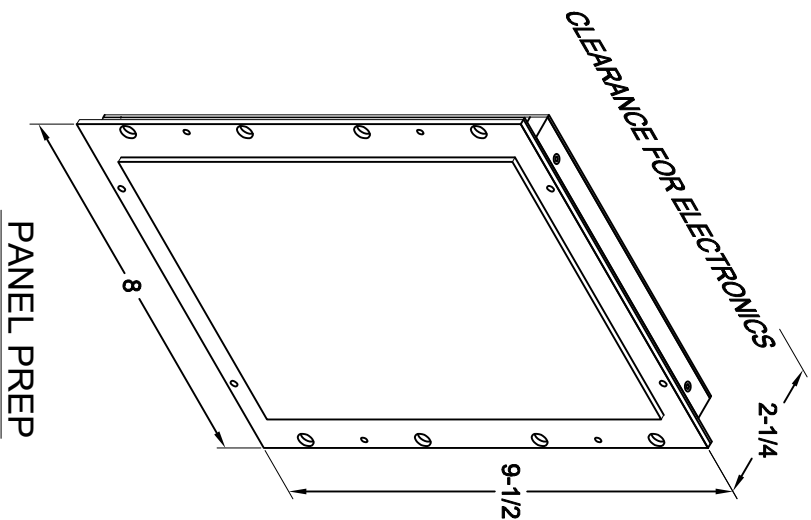
C.E. Electronics, Inc.
 2107 Industrial Drive
 Bryan, OH 43306
 PH (419) 636-6705 FX (419) 636-2516
 www.ceelectronics.com

EMN104-ACX

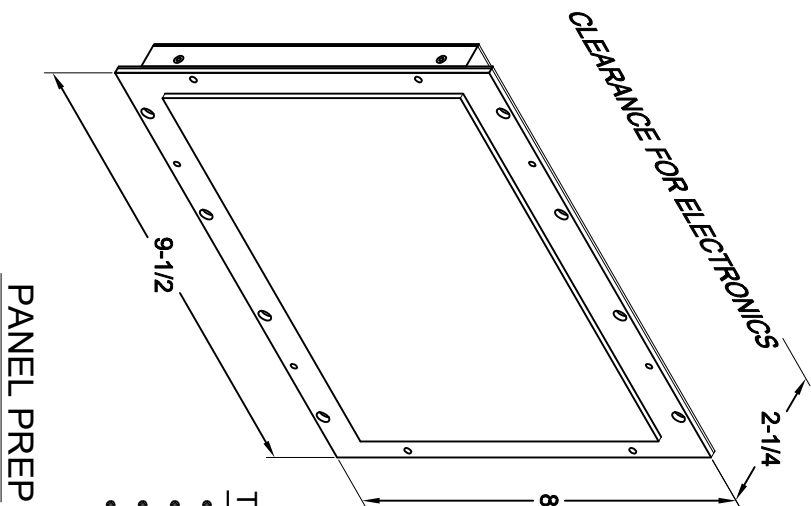
Ver. 9 Rel. 2/11/2026

ELITE P1®
 Standard / MAX

VERTICAL



HORIZONTAL



10.4 Inch Elite P1® Standard / MAX

The MICRO COMM® Elite P1® Standard is the entry level platform for a property looking for something more than a typical position indicator. With a full 256 color TFT screen, the Elite P1® Standard can be customized with your property logo or an image of the building. This position indicator is capable of relaying information to passengers regarding the elevator's current position and direction, arrival arrows, along with priority messages from the controller. It's also designed to be a destination type display showing floors served when in destination mode. These units also have a non-movement selectable time blanking to help preserve backlight life. The Elite P1® Standard doesn't support custom customer messages; for custom content management on the display, choose the Elite P1® PRO product line.

Typical Applications

- Car operating panel
- Car transom
- Lobby/arrival
- Destination Display

Features:

- Passing chime output
- Self testing
- Low voltage
- Backlight saver function / default on 30 min.
- USB Updatable
- MICRO COMM® input
- Voice capabilities

TO ORDER: - EMN104 - ACX

"H" = HORIZONTAL (Landscape)
 "V" = VERTICAL (Portrait)

HORIZONTAL RELATED DRAWINGS

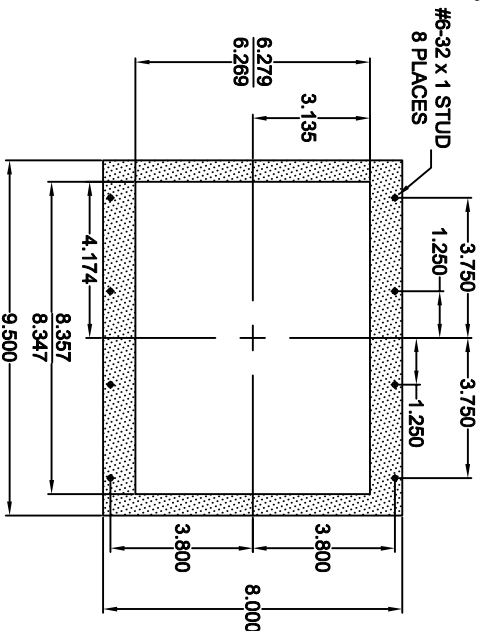
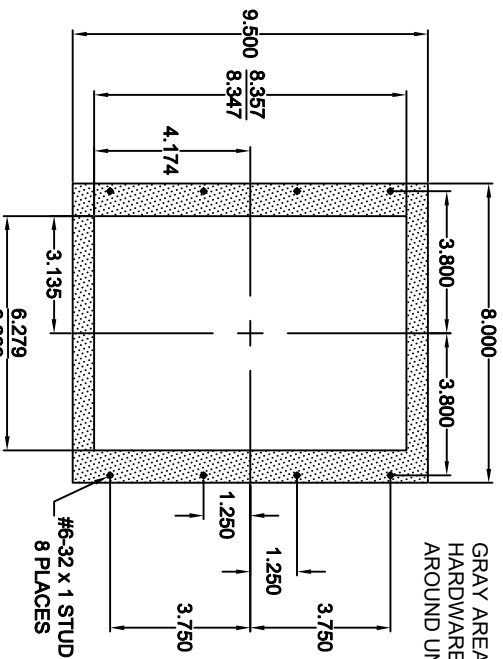
DESCRIPTION	DRAWING NAME
-------------	--------------

PANEL PREP.	PP104-12
DETAIL DIM.	DD104-12

VERTICAL RELATED DRAWINGS	DRAWING NAME
---------------------------	--------------

PANEL PREP.	PP104-13
DETAIL DIM.	DD104-13

GRAY AREA INDICATES
 HARDWARE SPACE
 AROUND UNIT



~ Some features may not be available for your system. Please check with your manufacturer or engineering for special features. ~