

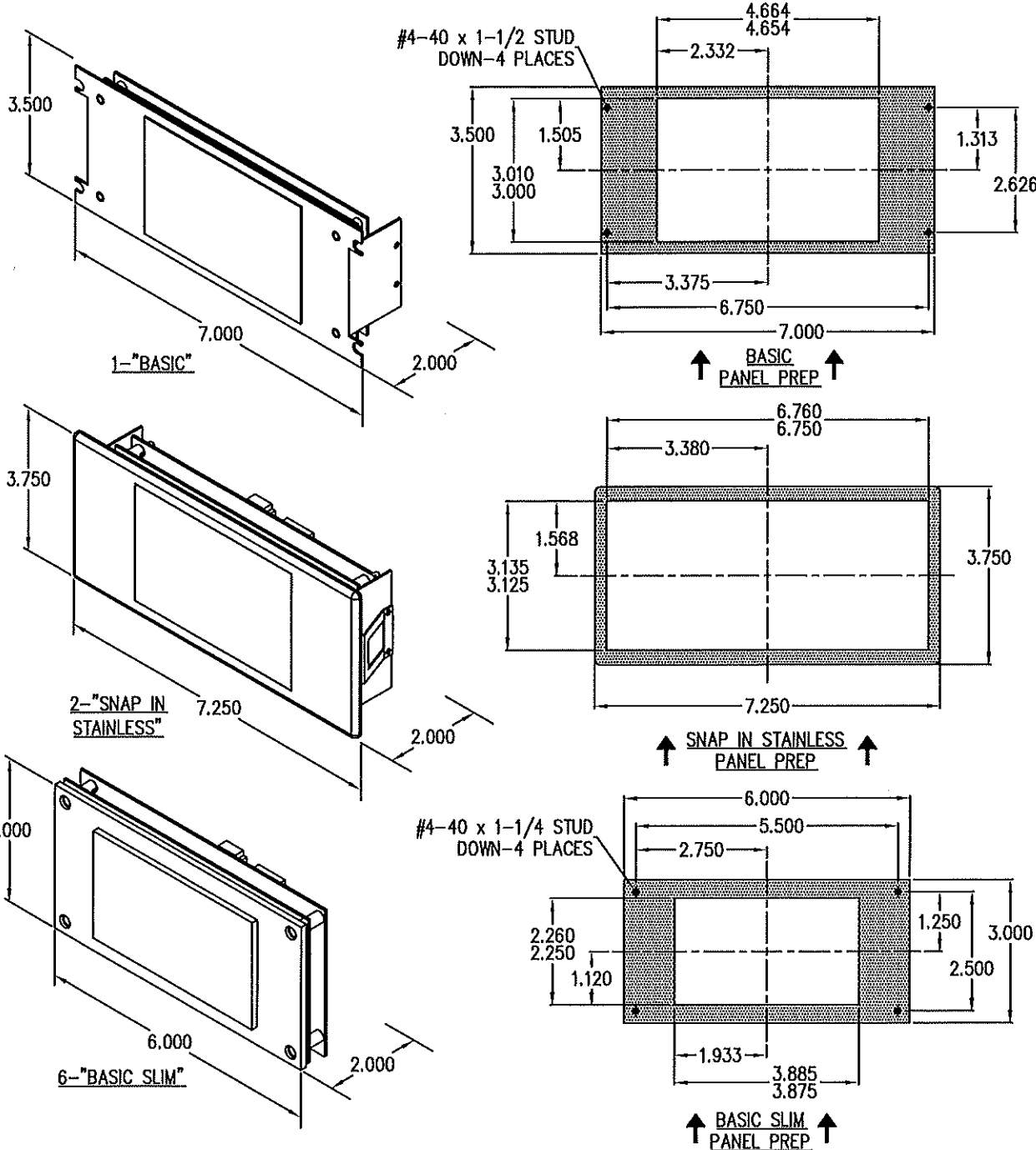


C.E. Electronics, Inc.
 2107 Industrial Drive
 Bryan, OH 43506
 PH (419) 636-6705 FX (419) 636-2516
 www.ceelectronics.com

EMN43-BXX

Ver. 12 Rel. 10/22/2025

MINI PI™



4.3 INCH Mini

The Mini is a flexible information indicator which can be customized for any building or corporations. This customization can reflect architectural elements, color schemes, and corporate identity. Within this customization, information can be presented to passengers regarding the elevator's current position and direction, arrival arrows, along with priority messages from the controller. It's also designed to be a destination type display showing floors served when in destination mode. These units also have a non-movement blanking to help preserve backlight life.

Typical Applications

- Car operating panel
- Car Transom
- Lobby/arrival
- Destination Display
- Messaging

Features:

- Passing chime output
- Self testing
- USB Updatable
- Low profile
- Destination Display
- Backlight saver function/default off
- MicroComm input
- Voice Capabilities

TO ORDER: EMN43-B X X

"1" = BASIC
 "2" = SNAP IN STAINLESS
 "6" = BASIC SLIM
 "V" = VERTICAL
 "H" = HORIZONTAL

BASIC RELATED DRAWINGS	
DESCRIPTION	DRAWING NAME
PANEL PREP.	PP43-1
DETAIL DIM.	DD43-1
SNAP-IN RELATED DRAWINGS	
DESCRIPTION	DRAWING NAME
PANEL PREP.	PP43-2
DETAIL DIM.	DD43-2
BASIC SLIM RELATED DRAWINGS	
DESCRIPTION	DRAWING NAME
PANEL PREP.	104-7095PP