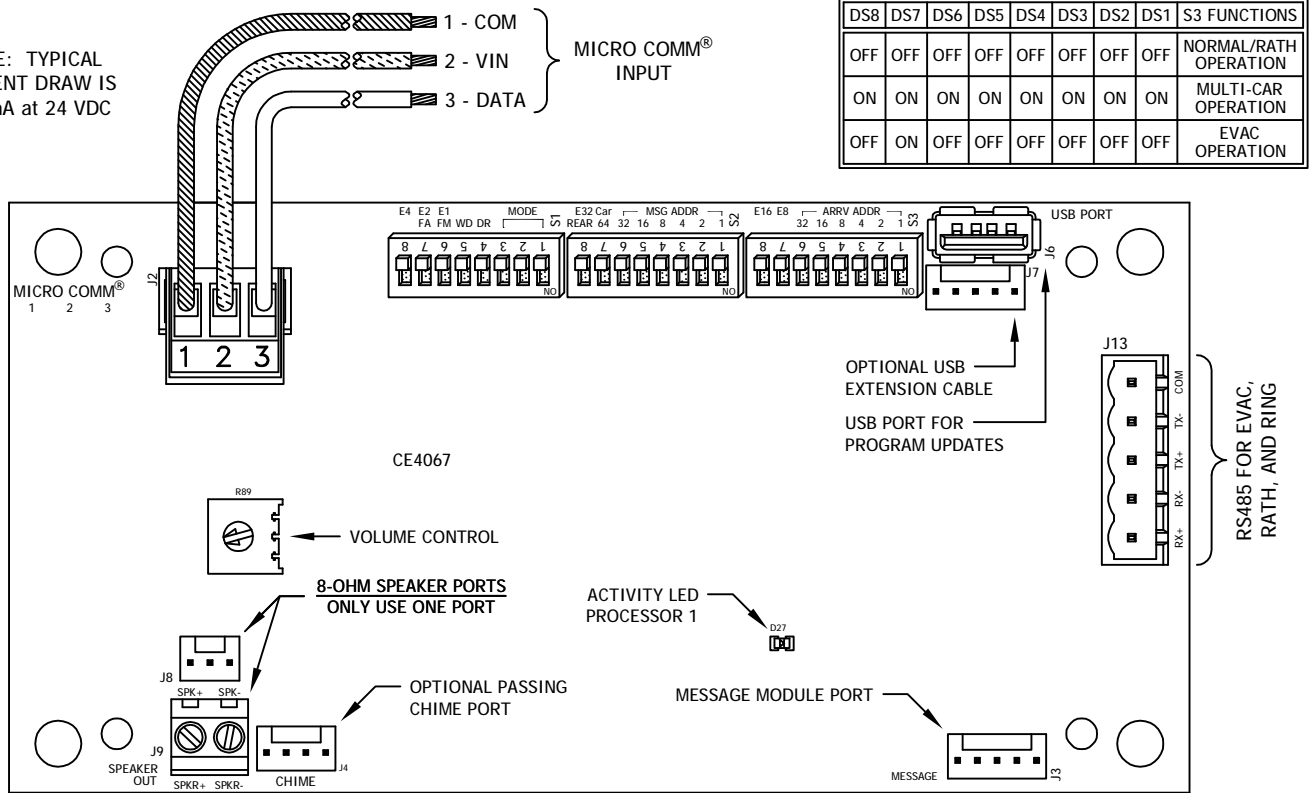


EMN43-SXX

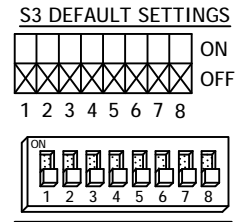
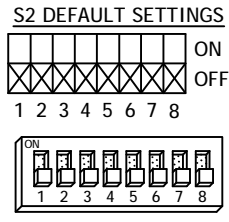
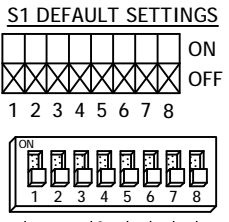
JOB# _____

NOTE: TYPICAL CURRENT DRAW IS 350 mA at 24 VDC



| DS8 | DS7 | DS6 | DS5 | DS4 | DS3 | DS2 | DS1 | S3 FUNCTIONS |
|-----|-----|-----|-----|-----|-----|-----|-----|-----------------------|
| OFF | OFF | OFF | OFF | OFF | OFF | OFF | OFF | NORMAL/RATH OPERATION |
| ON | ON | ON | ON | ON | ON | ON | ON | MULTI-CAR OPERATION |
| OFF | ON | OFF | OFF | OFF | OFF | OFF | OFF | EVAC OPERATION |

| DS1 | DS2 | DS3 | S1 MODE FUNCTIONS |
|-----|-----|-----|------------------------|
| OFF | OFF | OFF | NORMAL OPERATION |
| ON | OFF | OFF | DISPLAY TEST MODE |
| ON | ON | OFF | AUDIO / UNIT TEST MODE |

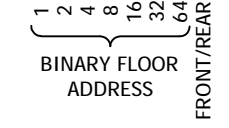
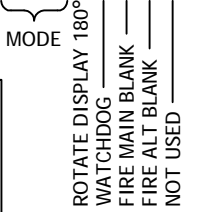


SEE DIP SWITCH S3 TABLE ABOVE. ARR V ARROWS ARE SET BY S2.

ARRIVAL ARROWS

DIP SWITCH S2-1 to S2-7 set the floor number of the unit

| DS7 (64) | DS6 (32) | DS5 (16) | DS4 (8) | DS3 (4) | DS2 (2) | DS1 (1) | FLOOR NUMBER OF THIS UNIT |
|----------|----------|----------|---------|---------|---------|---------|---------------------------|
| OFF | OFF | OFF | OFF | OFF | OFF | OFF | CAR UNIT* |
| OFF | OFF | OFF | OFF | OFF | OFF | ON | FLOOR NO. 1 |
| OFF | OFF | OFF | OFF | OFF | ON | OFF | FLOOR NO. 2 |
| OFF | OFF | OFF | OFF | OFF | ON | ON | FLOOR NO. 3 |
| OFF | OFF | OFF | OFF | ON | OFF | OFF | FLOOR NO. 4 |
| OFF | OFF | OFF | OFF | ON | OFF | ON | FLOOR NO. 5 |
| : | : | : | : | : | : | : | : |
| : | : | : | : | : | : | : | : |
| ON | ON | ON | ON | ON | OFF | ON | FLOOR NO. 125 |
| ON | ON | ON | ON | ON | ON | OFF | FLOOR NO. 126 |
| ON | ON | ON | ON | ON | ON | ON | IN CAR UNIT** |



MINI CODE VERSION _____ CE4067 _____

DESIGN VERSION _____

AUDIO VERSION _____

CRCG _____ CRCA _____

OCDL CRC _____ ODAACRC _____

DIP SWITCH S2-8 sets the unit as front or rear.
 OFF = Front Unit ON = Rear Unit
 *CAR UNIT - Unit uses the Hall Arrival Lantern Signals for the current floor.
 **IN-CAR UNIT - Unit uses the In-Car Arrow signals.

| | | | |
|---|----------------------|------------------|--|
| DATE DRAWN: 04/22/24 | DRAWN BY: DAC | REQUESTED BY: TE | C.E. ELECTRONICS, INC. 2107 Industrial Drive Bryan, Ohio 43506 (419) 636-6705 |
| BOARD NUMBER: 4067 | LAST DATE REVISED: - | APPROVED BY: | |
| PRODUCT: EMN43-SXX UNIBOARD 4.3" TFT w/VERT MC IN & RS485 | DWG. NO. XMN43_02 | REV: - | |