

> 70100025 SECURITY
SURFACE MOUNT KEYPAD WITH LED



C.E. Electronics, Inc.

Bryan, OH, USA

Ph: (419) 636-6705

www.cееlectronics.com/security

Marlow, Bucks, UK

C.E. Electronics Ltd.

Ph: +44 (0) 1628 487633

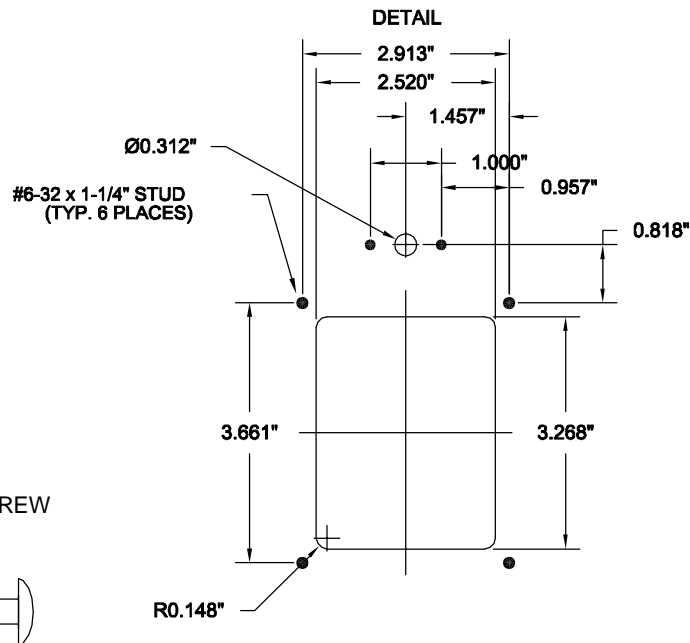
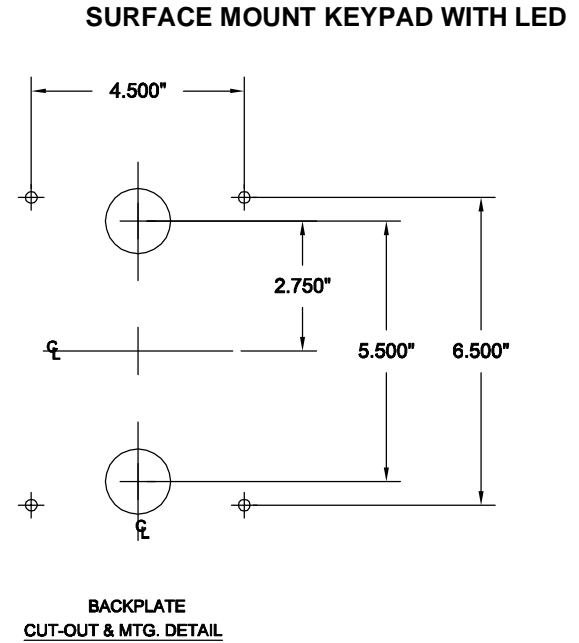
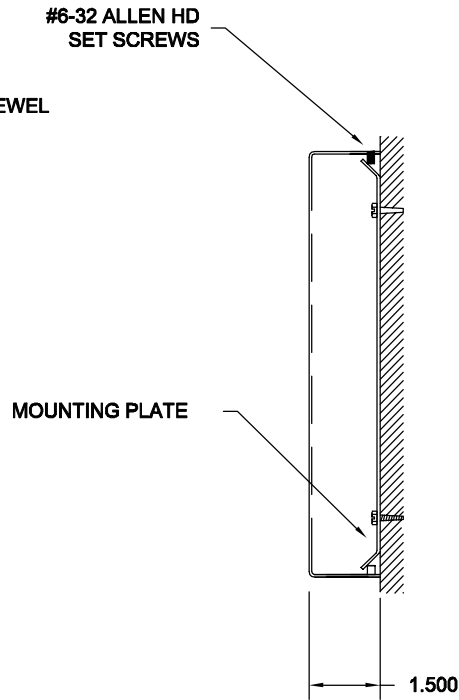
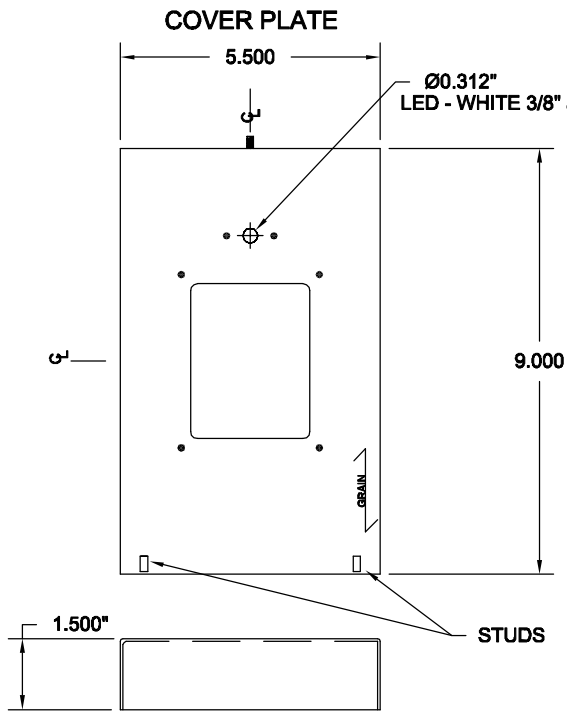


C.E. Electronics, Inc.
 2107 Industrial Drive
 Bryan, OH 43506
 PH (419) 636-6705 FX (419) 636-2516
 www.ceelectronics.com

70100025

Ver. 1 Rel. 06/06/02

METAL



NOTES:

- #4 STAINLESS STEEL, .125"
- VERTICAL GRAIN
- BEVELED EDGES - APPROXIMATELY 15°
- BOX REQUIRED, 3.5" DEEP
- COUNTERSINK MOUNTING HOLES FOR #10-32 TAMPERPROOF SCREW

VENDOR TO SUPPLY AND INSTALL:

LED - WHITE 3/8" JEWEL ONLY WITH RETAINING RING





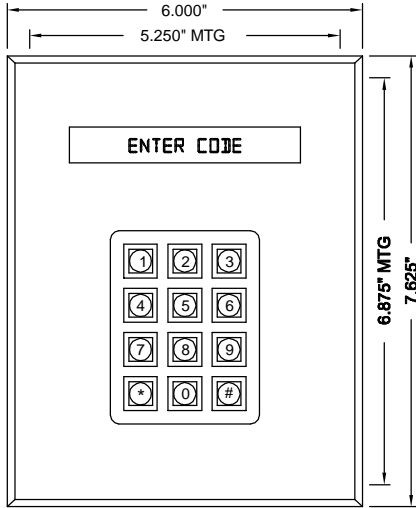
SECXX-DETAIL 1

Ver. 3 Rel. 3/08/10

SECURITY
 BUTTON INTERFACE

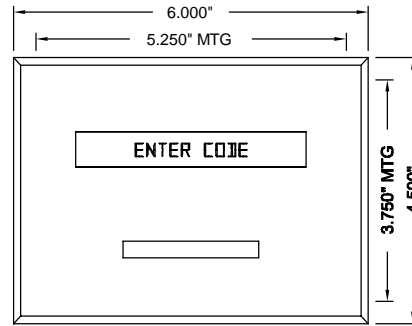
70100013

STANDARD STAINLESS STEEL COVERPLATES



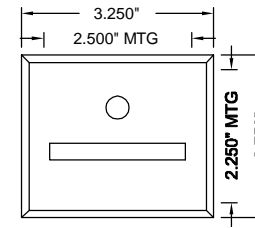
MIN DEPTH: 1.9"

70100014

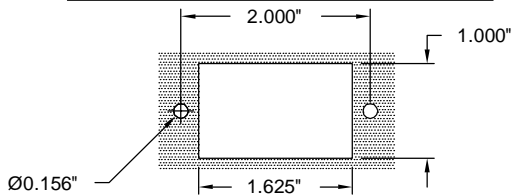


MIN DEPTH: 3.3"

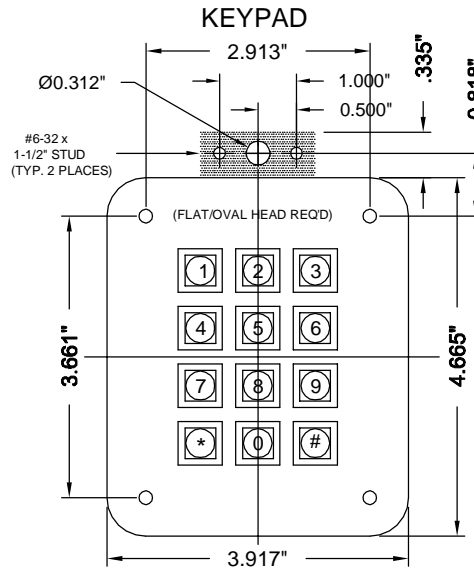
70100015



DETAIL FOR ATTENDANT CABLE

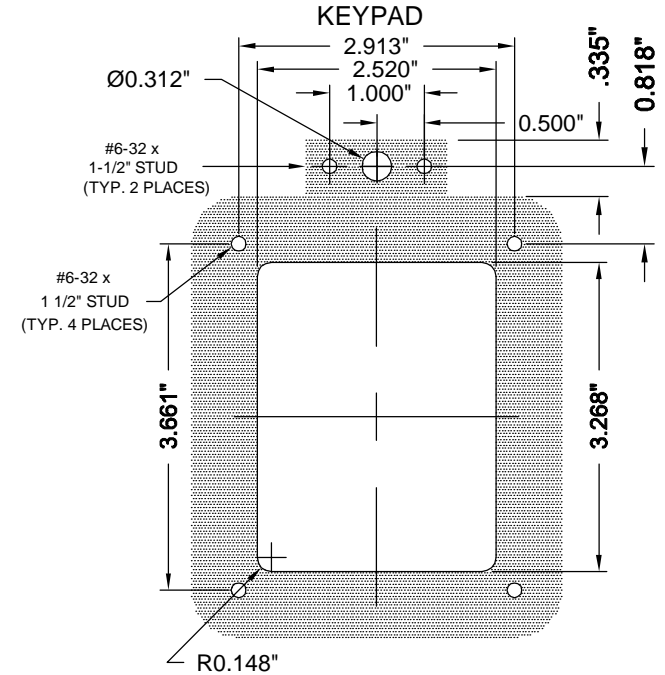


DETAIL FOR SURFACE MOUNTING



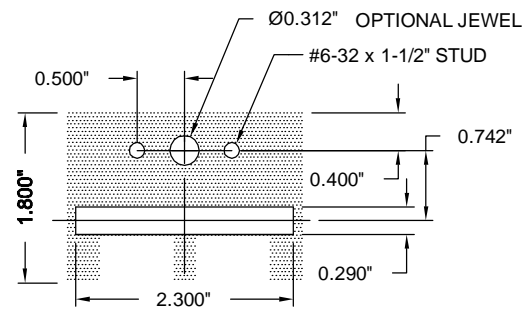
MIN CLEARANCE: 4.0"W x 5.0"H x 1.25"D
 WHEN USED WITH SEC01, DEPTH
 WILL CHANGE FROM 1.25" TO 1.6".

DETAILS FOR FLUSH MOUNTING



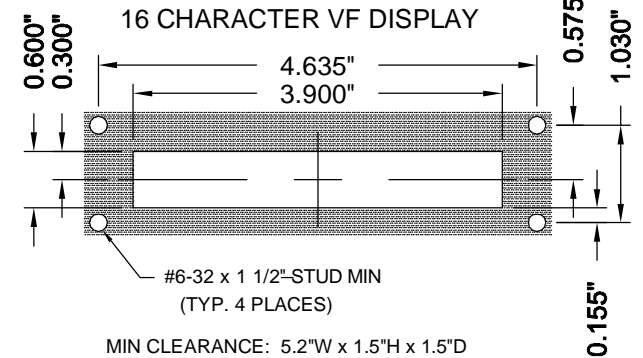
MIN CLEARANCE: 4.0"W x 4.7"H x 1.0"D
 WHEN USED WITH SEC01, DEPTH
 WILL CHANGE FROM 1.0" TO 1.9".

DETAIL FOR CARD READER



MIN CLEARANCE: 2.5"W x 1.8"H x 3.3"D

DETAIL FOR DISPLAY



MIN CLEARANCE: 5.2"W x 1.5"H x 1.5"D