

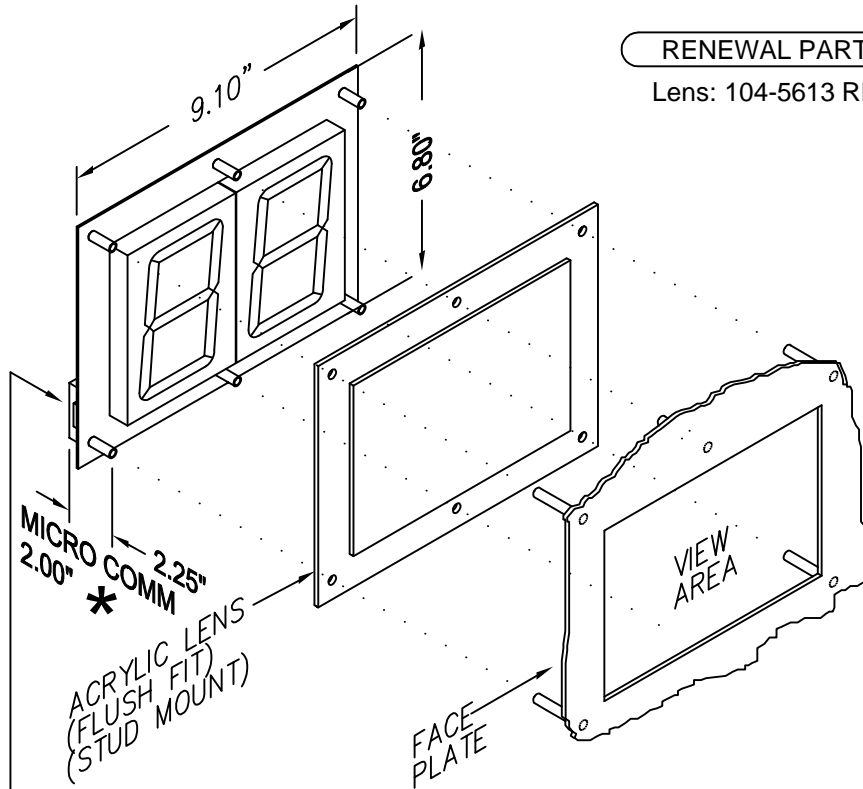


C.E. Electronics, Inc.
 2107 Industrial Drive
 Bryan, OH 43506
 PH (419) 636-6705 FX (419) 636-2516
 www.ceelectronics.com

SH240-RXXX

Ver. 4 Rel. 09/09/2011

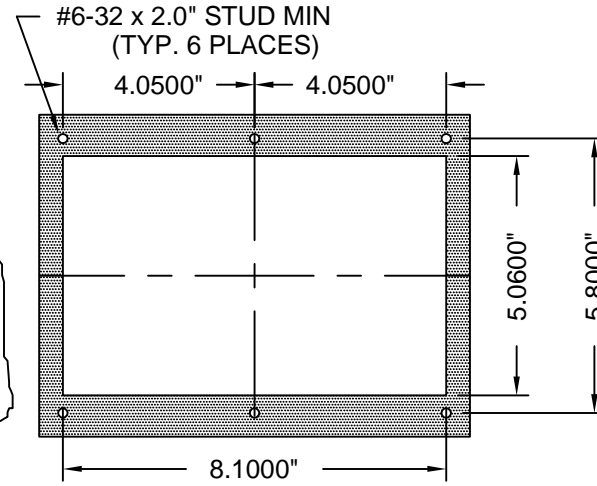
SEGMENTED
DISPLAYS



RENEWAL PARTS
 Lens: 104-5613 RED

4" CHARACTERS

Segmented red high brightness LED digital position indicator.



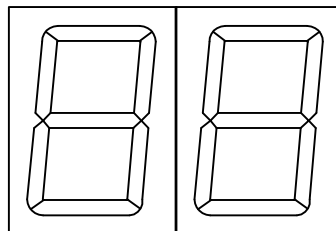
Typical applications:

- Car or hall display

Features:

- Self contained
- Latched inputs
- Passing chime output
- Error detection and correction feature
- 8 Inputs & Up/Down

INPUT CONNECTION
 PLUGGABLE CONNETERS



4" CHARACTERS

Consult factory for alpha characters available
 (Example: A,C,E,F,H,L,O,P,S,U)

NOTE:

1. * May need additional decoder card
2. If a special voltage is required, please consult factory.
3. **Required 110VAC or optional 220VAC - Consult factory for 220AC**

TO ORDER - SPECIFY SH240 - R X X X

COLOR:
 "R" RED

SIGNAL VOLTAGE:
 "A" = POSITIVE 6-20VAC/DC, 24VAC
 "B" = POSITIVE 24-48VDC, 48VAC
 "C" = POSITIVE 120VAC
 "D" = POSITIVE 125VDC
 "E" = NEGATIVE 6-20VDC
 "F" = NEGATIVE 24-48VDC
 "G" = NEGATIVE 125VDC

* "M" = IF MICRO COMM

LENS:
 "R" = RED
 "X" = NO LENS

SIGNAL FORMAT:
 "1" = SINGLE LINE / FLOOR *
 "2" = BINARY
 "3" = UNITS & TENS *
 "4" = GRAY CODE
 "5" = INVERTED BINARY
 "6" = SPECIAL
 "X" = NO SELECTION