

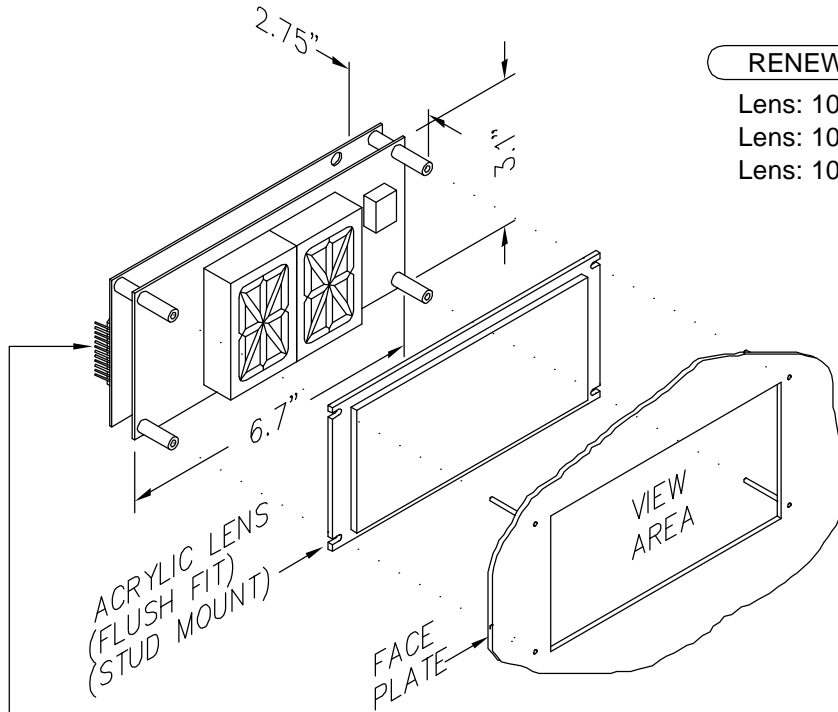


C.E. Electronics, Inc.
 2107 Industrial Drive
 Bryan, OH 43506
 PH (419) 636-6705 FX (419) 636-2516
 www.ccelectronics.com

SH222-XXXX

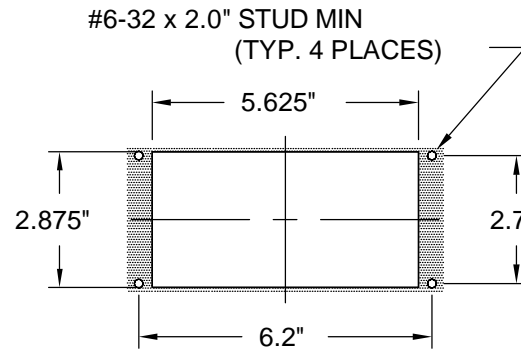
Ver. 8 Rel. 09/09/2011

SEGMENTED
DISPLAYS



RENEWAL PARTS

- Lens: 104-5602M RED
- Lens: 104-6002M GRAY
- Lens: 104-9002 BLUE



CUTOUT TOLERANCE: +.020
- 0.0

SEGMENTED 2.2" DISPLAY

Segmented LED main digital indicator for floor position. Any alphanumeric character can be displayed single digit or double digit floor designations.

Typical applications:

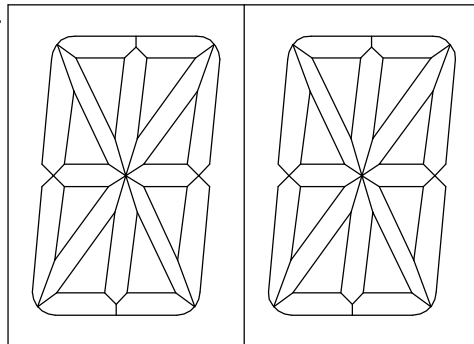
- Car-OP panel
- Transom-car or hall

Features:

- Self contained
- Auxiliary output
- Latched inputs
- On board power supply
- Self testing
- Passing chime output
- Error detection and correction feature
- UL
- 8 Inputs

INPUT CONNECTION

8' CABLE WITH PLUG-IN CONNECTOR
SUPPLIED.



2.2" CHARACTERS

NOTE:

1. * May need additional decoder card
2. If a special voltage is required, please consult factory.
3. **Required 110VAC or optional 220VAC - Consult factory for 220AC**

TO ORDER - SPECIFY SH222 - X X X X

COLOR:

- "R" RED
- "G" GREEN
- "B" BLUE
- "W" WHITE

LENS:

- "R" = RED
- "G" = GRAY
- "B" = BLUE
- "X" = NO LENS

SIGNAL VOLTAGE:

- "A" = POSITIVE 6-20VAC/DC, 24VAC
- "B" = POSITIVE 24-48VDC, 48VAC
- "C" = POSITIVE 120VAC
- "D" = POSITIVE 125VDC
- "E" = NEGATIVE 6-20VDC
- "F" = NEGATIVE 24-48VDC
- "G" = NEGATIVE 125VDC

SIGNAL FORMAT:

- "1" = SINGLE LINE / FLOOR *
- "2" = BINARY
- "3" = UNITS & TENS *
- "4" = GRAY CODE
- "5" = INVERTED BINARY
- "6" = SPECIAL