

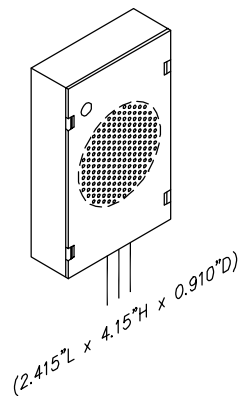


C.E. Electronics, Inc.
 2107 Industrial Drive
 Bryan, OH 43506
 PH (419) 636-6705 FX (419) 636-2516
 www.ceelectronics.com

OLHS-FX

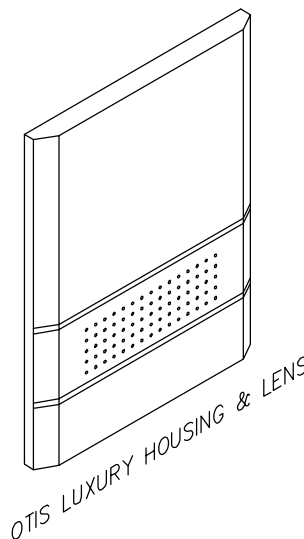
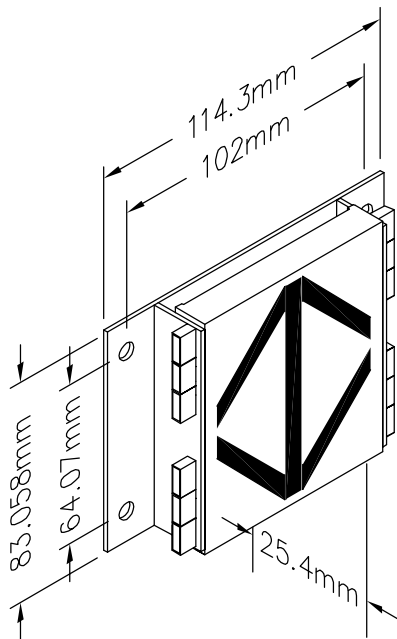
Ver. 2 Rel. 05/08/03

OTIS®
 411 SERIES



THREE WIRES REQUIRED:

- BLACK - -24/-30VDC
- RED - DOWN
- BROWN - UP



OLHS-FX

3.0" LED ARROW

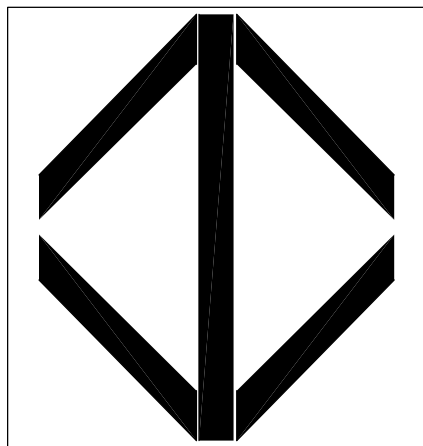
Long life, solid state bi-color arrow for lanterns, 100,000 hour rated life. Accepts existing signals within the standard Otis range. The bi-color arrow is green for up and red for down with matching side bars for 180° viewing.

Typical Applications:

- Hall and car lanterns with 180° viewing angle.

Features:

- Otis luxury series mounting
- Bi-color
- Red down / green up
- Solid side bar/arrow
- 180° viewing angle
- 1 year factory warranty
- Conforms to ADAAG 4.10.4
- Includes gong



3.0" ARROW

RENEWAL PARTS

Display board: 9256500000
 Gong: TG120-NF1

TO ORDER - SPECIFY OLHS-FX

SIGNAL INPUTS:
 -24/-30VDC