

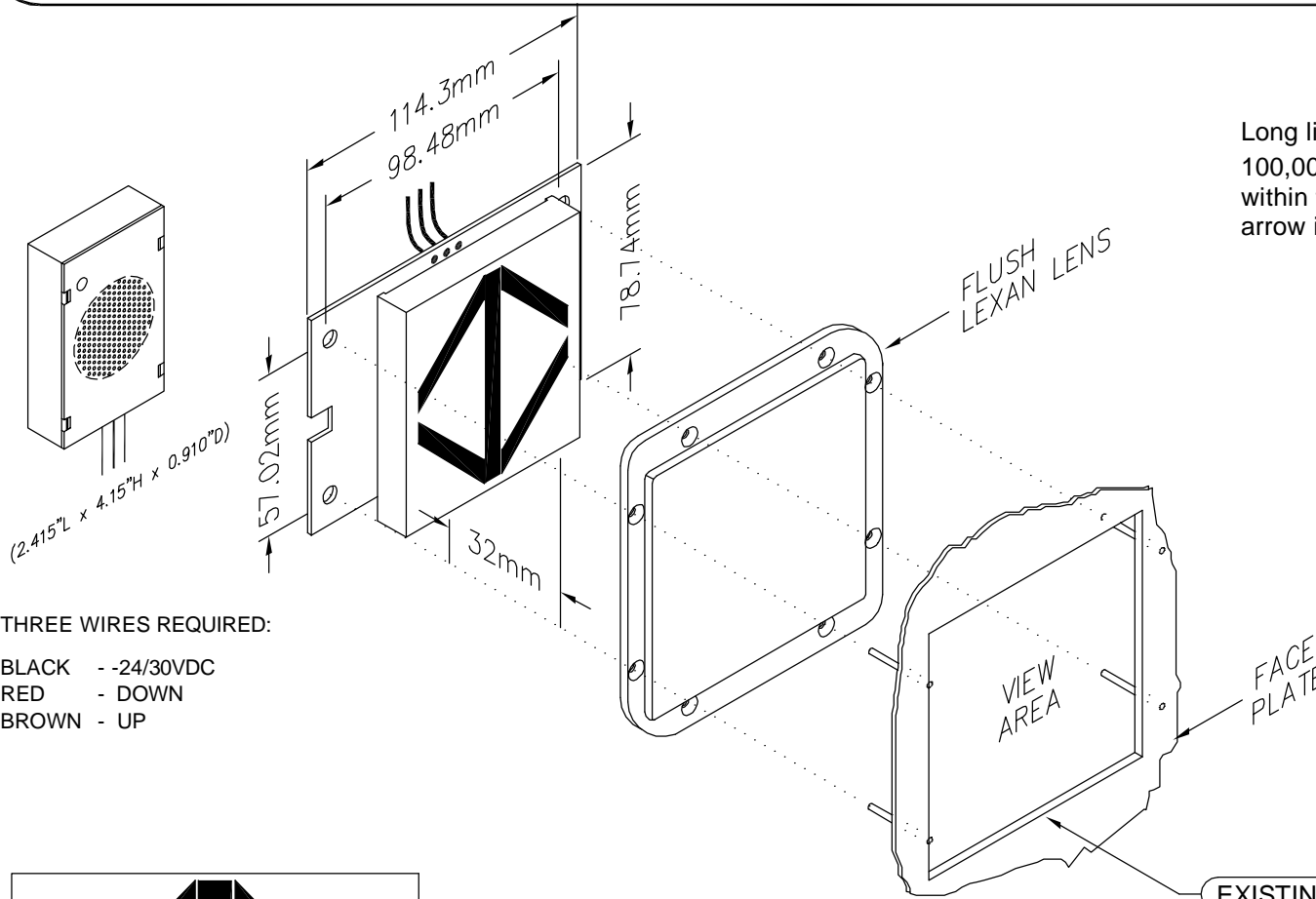


C.E. Electronics, Inc.
 2107 Industrial Drive
 Bryan, OH 43506
 PH (419) 636-6705 FX (419) 636-2516
 www.ceelectronics.com

OAHF-FX

Ver. 3 Rel. 02/29/08

OTIS



THREE WIRES REQUIRED:

- BLACK - -24/30VDC
- RED - DOWN
- BROWN - UP

**OAHF-FX
 3.0" LED FLUSH ARROW**

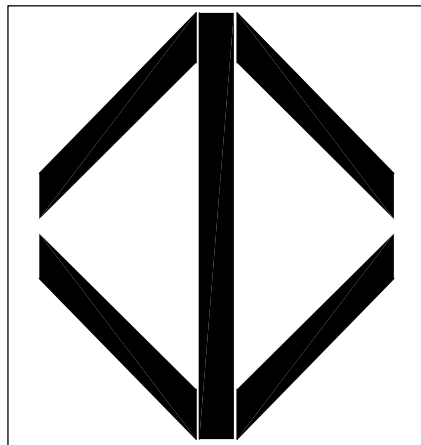
Long life, solid state bi-color or solid blue arrow for lanterns, 100,000 hour rated life. Accepts existing signals within the standard Otis range. The bi-color arrow is green for up and red for down or optional solid blue.

Typical Applications:

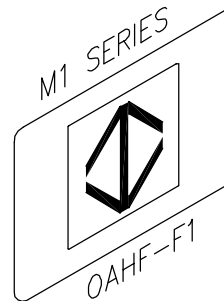
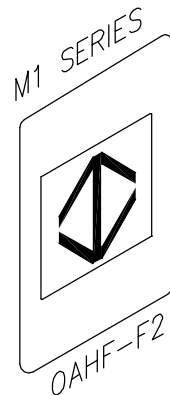
- Hall and car lanterns
- For Otis advance series style fixtures, horizontal or vertical mounting.

Features:

- Otis advance series mounting
- Ultra-thin packaging
- Bi-color or Blue
- Red down / green up or Solid Blue
- 1 year factory warranty
- Conforms to ADAAG 4.10.4
- Includes gong



3.0" ARROW



CAN BE USED ON M2 FLUSH AS WELL

EXISTING OTIS LANTERN

RENEWAL PARTS

Display board: 931570000X
 Gong: TG024-BF1
 Lens: 104-6056

TO ORDER - SPECIFY OAHF-FX

SIGNAL INPUTS:
 -24/-30VDC

COLOR:
 "B" = BLUE
 "X" = BI-COLOR