

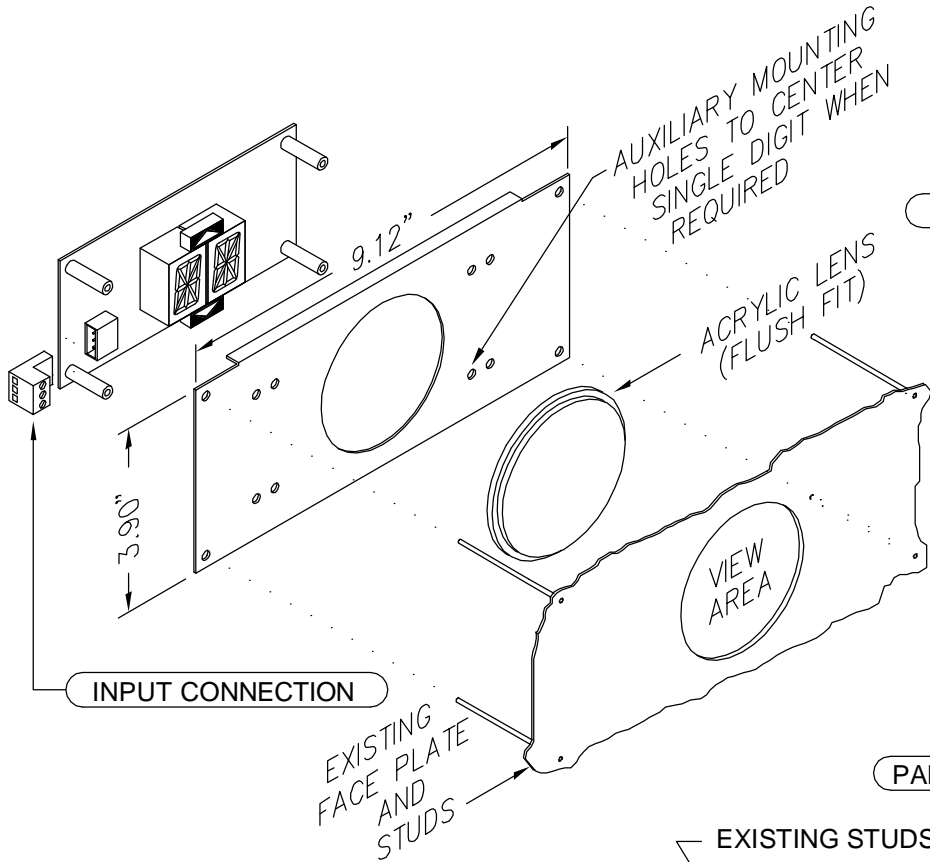


C.E. Electronics, Inc.
 2107 Industrial Drive
 Bryan, OH 43506
 PH (419) 636-6705 FX (419) 636-2516
 www.cееlectronics.com

ME110-XX

Ver. 2 Rel. 10/31/08

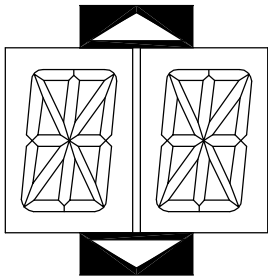
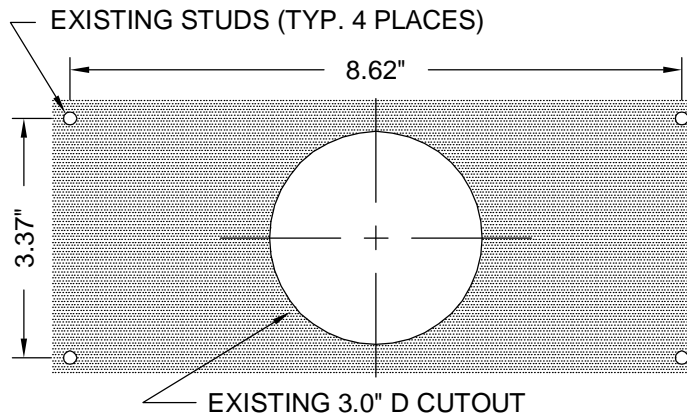
DIRECT
REPLACEMENTS



RENEWAL PARTS

Lens: 104-0502 RED
 Lens: 104-6009 GRAY

PANEL PREPARATION



1" CHARACTERS

NOTE:

1. This is not a stand alone unit. Must be used in conjunction with a MCCU controller.
2. Requires a Micro Comm driver.
3. For single digit display, consult factory.

REMOTE DISPLAY INDICATOR ("RDI")

Segmented LED, Digital Indicator for floor position display, as well as car direction. Any alphanumeric character can be displayed in either single or double digit floor designations. Arrows can be centered over right digit when required.

Typical applications:

- Direct replacement for Otis style light bulb, rear projection indicators.

Features:

- Direct replacement kit
- Lens included
- Latched inputs
- Fast, 3-wire hookup
- Cross wire protected
- Self testing
- Alternate message
- Passing chime output
- Error detection and correction feature

TO ORDER - SPECIFY ME110 - X X

COLOR:
 "R" = RED
 "A" = AMBER
 "G" = GREEN

LENS:
 "R" = RED
 "G" = GRAY
 "X" = NO LENS