

NOTE:  
 MUST USE 24VDC  
 LAMPS/LEDS  
 72ma MAX

- NOTE:
1. Accepts any manufacturer style button as long as bulb is 24VDC
  2. Load current is 2 AMPS.

MODULE



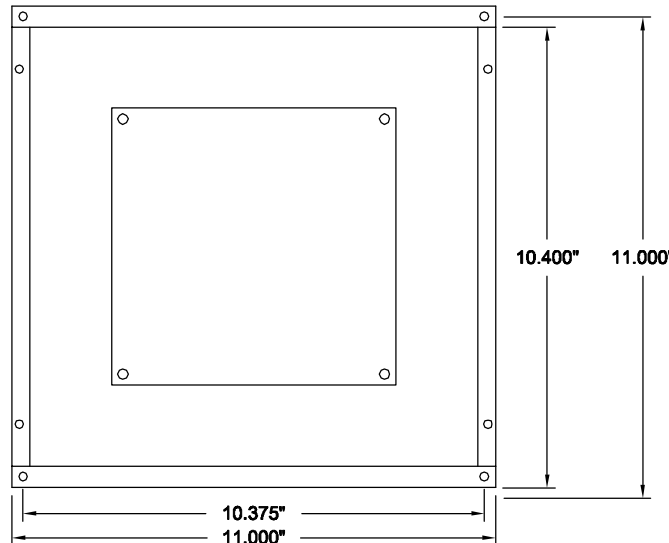
NOTE: INCLUDES 8 PER BOARD.

## PUSHBUTTON RELAY BOARD

This unit was designed to help illuminate and latch hall pushbutton lamps without pulling additional wires. Unit mounts in the machine room and utilizes the existing wire. The new button needs to have a 24VDC bulb and install a very small module at each button. The wiring harnesses are supplied. (The board will supply the 24VDC voltage.)

### Features:

- Uses existing wiring
- Machine room mounting
- Self-contained
- Includes 8ft. cable
- Button voltage 12-130vAC/DC
- Up to 8 buttons per board



MINIMUM DEPTH IS 3.375"

TO ORDER - SPECIFY HMRMB- X

CONTROLLER:

"1" = OTIS STYLE

"2" = WESTINGHOUSE STYLE