

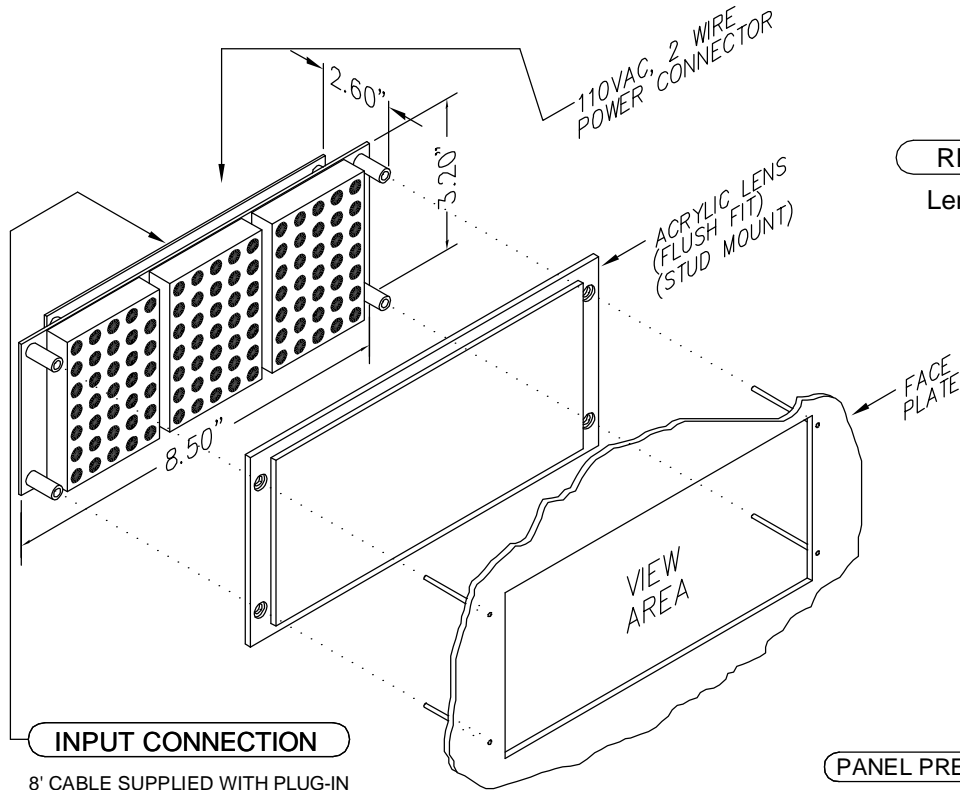


C.E. Electronics, Inc.
 2107 Industrial Drive
 Bryan, OH 43506
 PH (419) 636-6705 FX (419) 636-2516
 www.ceelectronics.com

DH330-RXXXX

Ver. 4 Rel. 11/06/08

COMPETITOR
 DOT MATRIX



RENEWAL PARTS

Lens: 104-5540 RED

DOT MATRIX LED DIGITAL INDICATOR

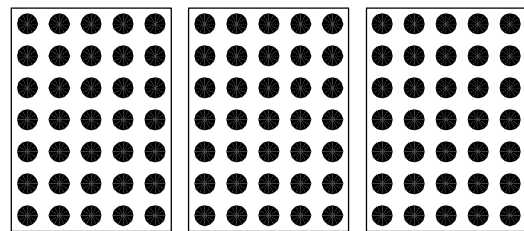
Dot matrix LED digital indicator for floor position display, as well as car direction, if desired. Any alphanumeric or custom character can be displayed in either single digit with separate "UP" and "DOWN" arrows. Double digit with single "UP/DOWN" arrow, or triple digit floor designations.

Typical Applications

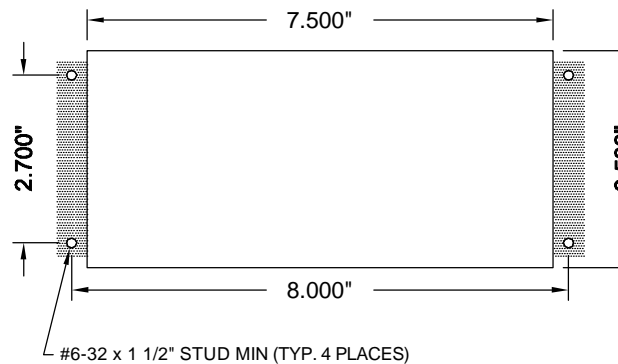
- Car-OP Panel
- Transom-car or Hall

Features

- Low cost design
- Self contained unit
- Latched input
- Self testing
- Scrolling
- Passing chime output
- Error detection and correction feature
- UL listed



3" CHARACTERS



CUTOUT TOLERANCE: +.020
 -0.00

TO ORDER:-SPECIFY DH330 -R X X X X

COLOR:
 "R" = RED

LENS:
 "R" = RED
 "X" = NO LENS

NUMBER OF INPUTS:
 "0" = 16 INPUT OR LESS
 "1" = 31 INPUT
 "M" = MICRO COMM *

SIGNAL FORMAT:
 "1" = SINGLE LINE/FLOOR
 "2" = BINARY
 "3" = UNITS & TENS
 "4" = GRAY CODE
 "5" = INVERTED BINARY
 "6" = SPECIAL
 "X" = IF MICRO COMM

SIGNAL VOLTAGE:
 "A" = POSITIVE 6-20VDC, 6-24VAC
 "B" = POSITIVE 24-48VDC, 24-48VAC
 "C" = 120VAC
 "D" = POSITIVE 125VDC
 "E" = NEGATIVE 6-20VDC
 "F" = NEGATIVE 24-48VDC
 "G" = NEGATIVE 125VDC
 "X" = IF MICRO COMM

NOTE:

1. If a special voltage is required, please consult factory.
2. * 110VAC not required for power supply on Micro Comm units