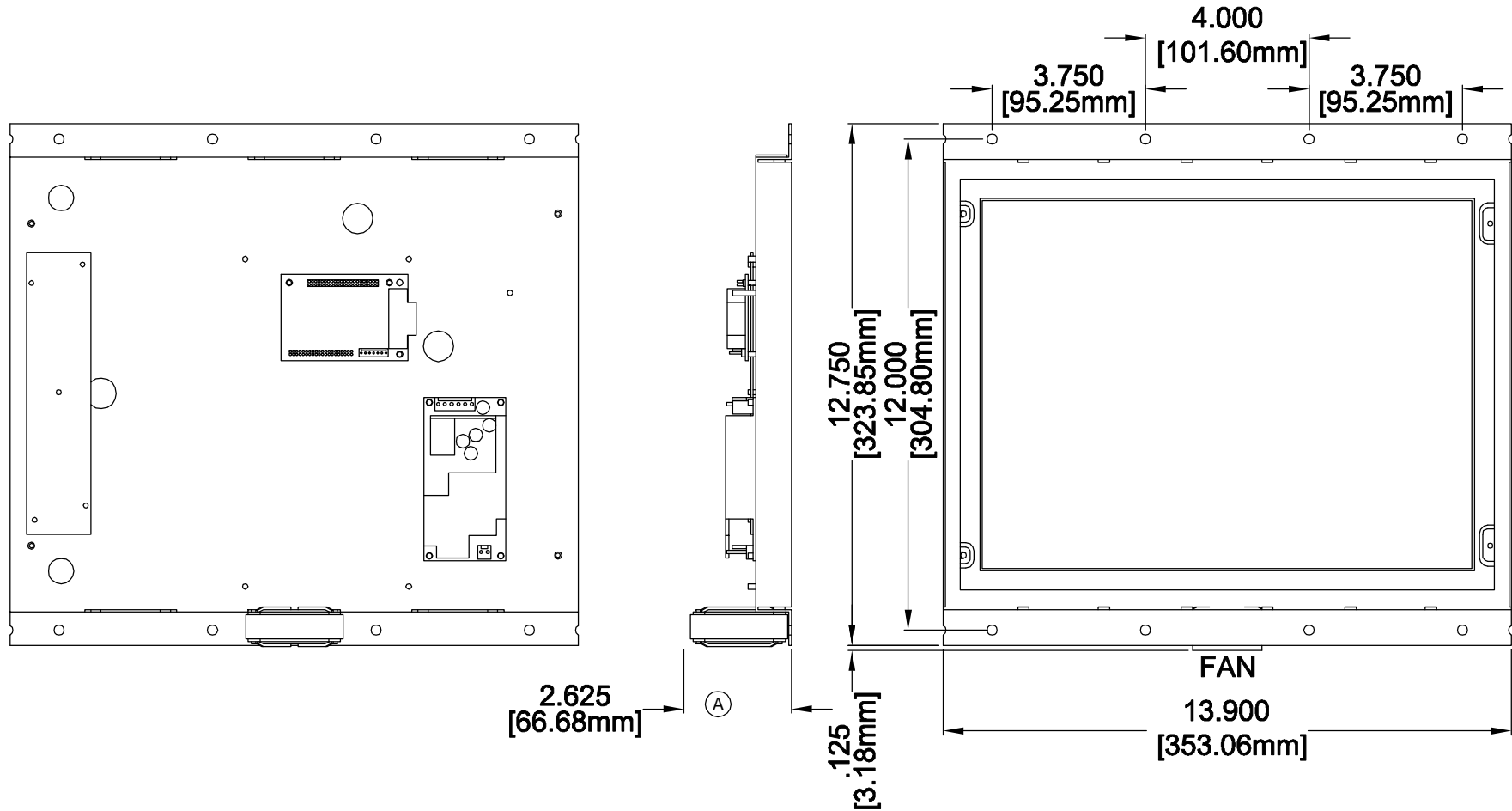


# DD150-1-AUX

Ver. 1 Rel. 12/05/07



**NOTES:**

STANDARD 15 TFT AUX. UNIT:

- (A) Recommended minimum depth with basic unit of at least 2.75" [69.85mm] with a standard 1/8" step lens.

LENS NUMBER:	BOARD # & REV:
APPROVED BY:	
Signature: _____	
Date: _____	
Company: _____	

DATE DRAWN: 12/05/07	LAST DATE REVISED:	SCALE: NONE	PART #:
DRAWN BY: D.W.S.	TOLERANCE UNLESS OTHERWISE SPECIFIED: +0.015, -0.015		 C.E. ELECTRONICS, INC. 2107 Industrial Drive Bryan, Ohio 43506 (419) 636-6705
REQUESTED BY:	TOLERANCE FOR CUTOUT (WINDOW): +0.020, -0.000		
TITLE:	DWG. NO. DD150-1-AUX	REV:	