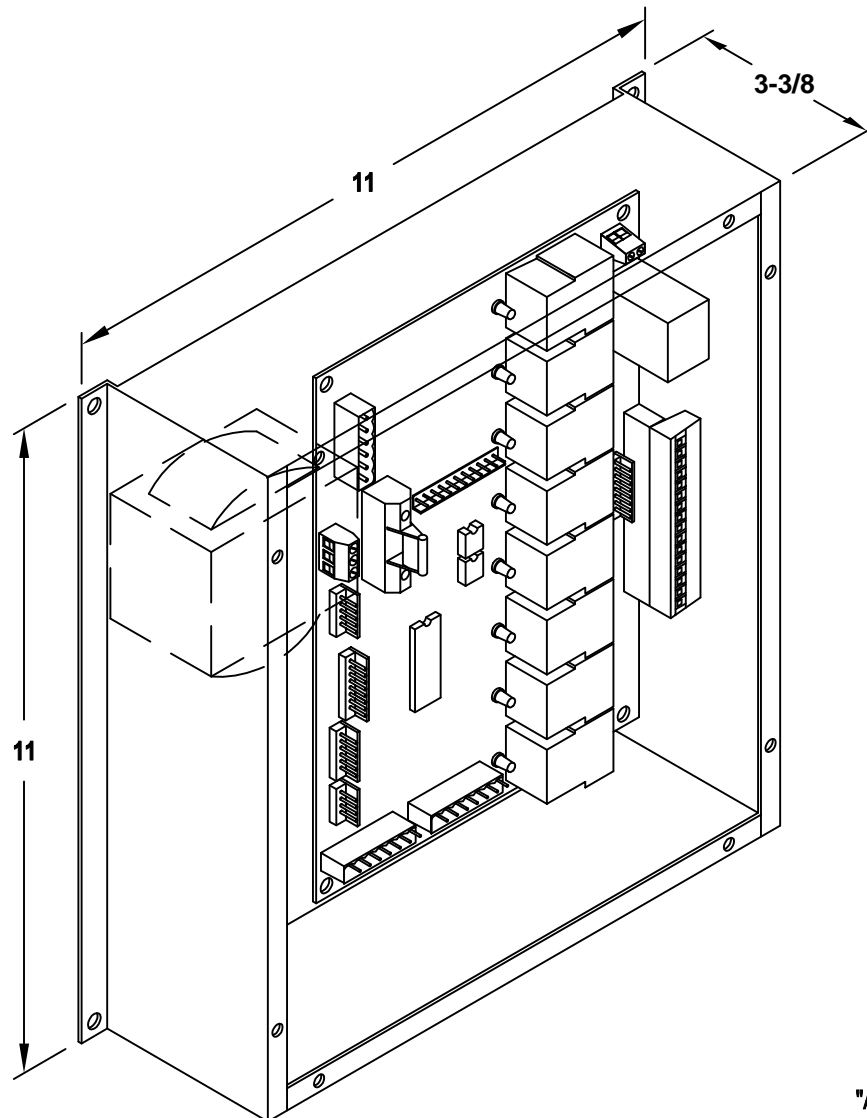




# SECXX-XXXX

Ver. 2 Rel. 04/16/2018

SECURITY  
 BUTTON INTERFACE



## SECURITY

This system was designed to allow up to 32 secured landings when the unit is activated. It disables the landing through a relay that is wired in circuits. When the appropriate code is entered, the relay closes for a predetermined (adjustable) time. It then allows the user to input the floor or floors that he has been given access. An on board override will de-activate the unit as long as an external input signal is present. An optional module can activate or de-activate the system at programmable times during the day.

## Features

- Up to 32 landings
- Override input
- Field programmable
- Pluggable connections
- Keypad/Card reader or elevator button access
- Custom graphics or photo ID cards available
- Optional programmable timer
- Access to multiple floors, 6 digit codes with up to 600 users

## TO ORDER - SPECIFY SECXX- X X X X

- "04" = 4 LANDINGS
- "08" = 8 LANDINGS
- "16" = 16 LANDINGS
- "20" = 20 LANDINGS
- "24" = 24 LANDINGS
- "32" = 32 LANDINGS

## VERRIDE INPUT SIGNAL VOLTAGE:

- "A" = 6-20VAC/DC, 24VAC
- "B" = 24-48VDC
- "C" = 120VAC
- "D" = 125VDC
- "S" = DRY CONTACT

## MOUNTING:

- "1" = APPLIED METAL w/o BACK BOX
- "2" = APPLIED METAL w/ BACK BOX
- "3" = SURFACE MOUNT WITH SECXX
- "X" = NO FIXTURE
- "C" = CUSTOM FIXTURE

## PROGRAM CABLE:

- "C" = HAND HELD ATTENDANT CABLE - 20'
- "X" = NO CABLE NEEDED

## INTERFACE / VISUAL FEEDBACK:

- "A" = KEYPAD & LED
- "C" = CARD READER & LED
- "E" = SWIPE READER & LED
- "I" = PROXIMITY READER & LED
- "R" = KEYPAD & LED CABLES 12 INCH (RESIDENTIAL)

## NOTE:

1. If a special voltage is required, please consult factory.
2. If needing over 16 landings, please consult factory.