

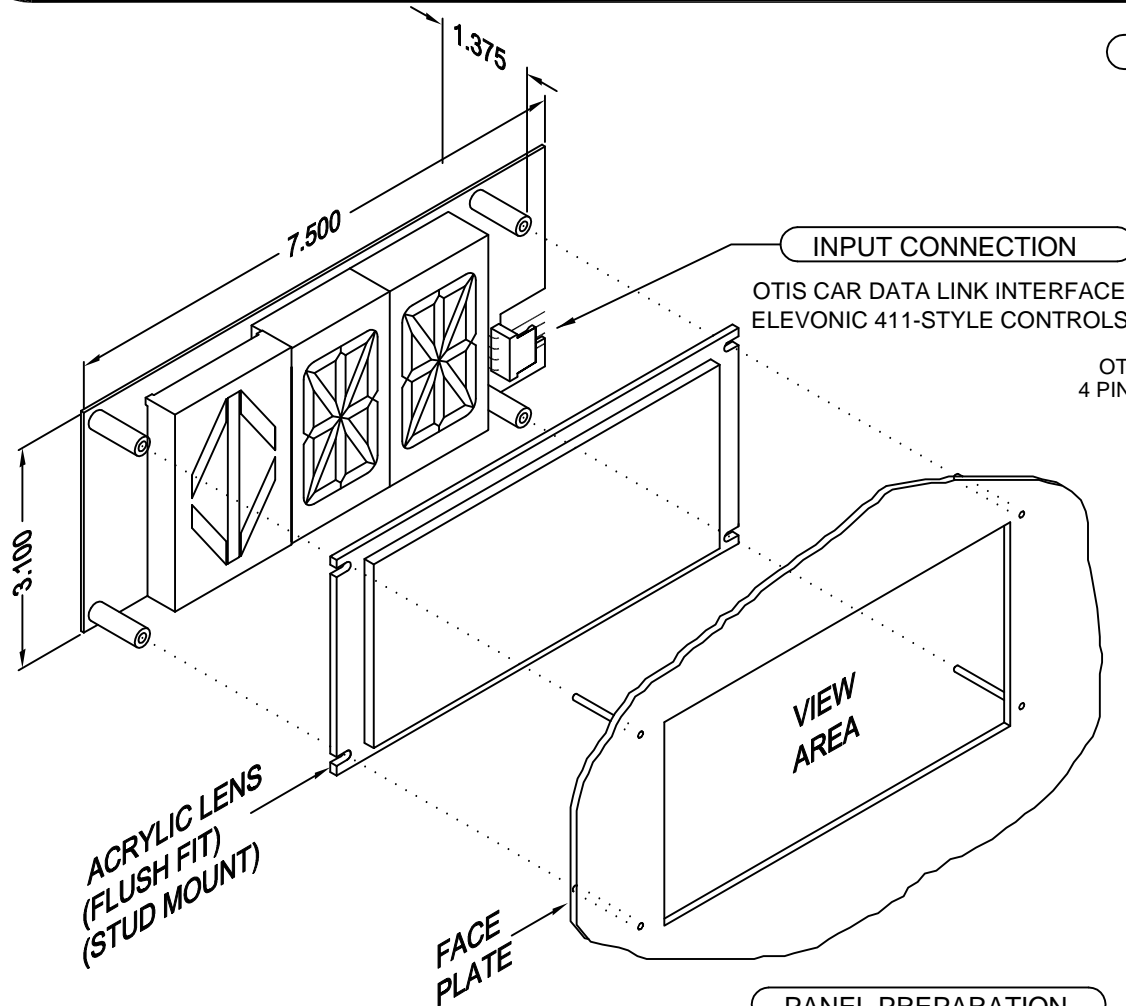


C.E. Electronics, Inc.
 2107 Industrial Drive
 Bryan, OH 43506
 PH (419) 636-6705 FX (419) 636-2516
 www.ceelectronics.com

OS222-XXXXX

Ver. 10 Rel. 3/14/2019

OTIS®
 411 SERIES



RENEWAL PARTS

- Lens: 104-5602M RED
- Lens: 104-6002M GRAY
- Lens: 104-9002 BLUE

INPUT CONNECTION

OTIS CAR DATA LINK INTERFACE
 ELEVONIC 411-STYLE CONTROLS

OTIS MALE
 4 PIN HEADER



OS222-XXX - OTIS SERIAL LINK REMOTE DISPLAY INDICATOR ("RDI")

Segmented led, digital indicator for floor position display, as well as car direction. Any alphanumeric character can be displayed in either single or double digit floor designations.

Typical Applications:

- car-op panel, transom-car or hall, surface mount fixtures

Features:

- Thin package
- Self testing
- Passing chime output
- Otis RSL input

COLOR:

TO ORDER - SPECIFY OS222-XXXXX

- "AA" = AMBER CHARACTER, AMBER ARROW
- "RR" = RED CHARACTER, RED ARROW
- "GR" = GREEN CHARACTER, RED ARROW
- "GG" = GREEN CHARACTER, GREEN ARROW
- "RG" = RED CHARACTER, GREEN ARROW
- "BB" = BLUE CHARACTER, BLUE ARROW
- "WW" = WHITE CHARACTER, WHITE ARROW

LENS:

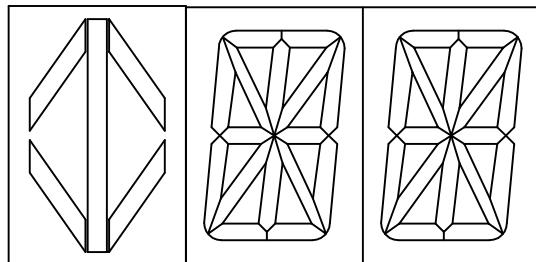
- "R" = RED
- "G" = GRAY
- "B" = BLUE
- "X" = NO LENS

HARDWARE KIT:

- "X" = NO HARDWARE KIT
- "H" = HARDWARE KIT

CHIME:

- "X" = NO SERIAL ARRIVAL CHIME
- "C" = SERIAL ARRIVAL CHIME



2.2 INCH CHARACTERS
 2.5 INCH ARROW

PANEL PREPARATION

