



C.E. Electronics, Inc.  
 2107 Industrial Drive  
 Bryan, OH 43506  
 PH (419) 636-6705 FX (419) 636-2516  
 www.ceelectronics.com

# MV110-XXX

Ver. 5 Rel. 10/29/2019

MICRO COMM<sup>®</sup>  
 DISPLAYS

## REMOTE DISPLAY INDICATOR "RDI"

Segmented LED, digital indicator for floor position display. Any alphanumeric character can be displayed.

### Typical Applications

- Hall stations
- Lobby and security panels

### Features

- Fast, 3-wire hookup
- Latched inputs
- Cross wire protected
- Self testing
- Alternate message
- Passing chime output
- Error detection and correction feature

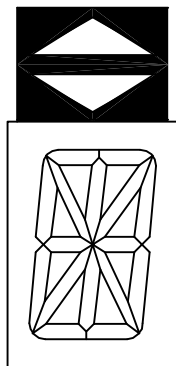
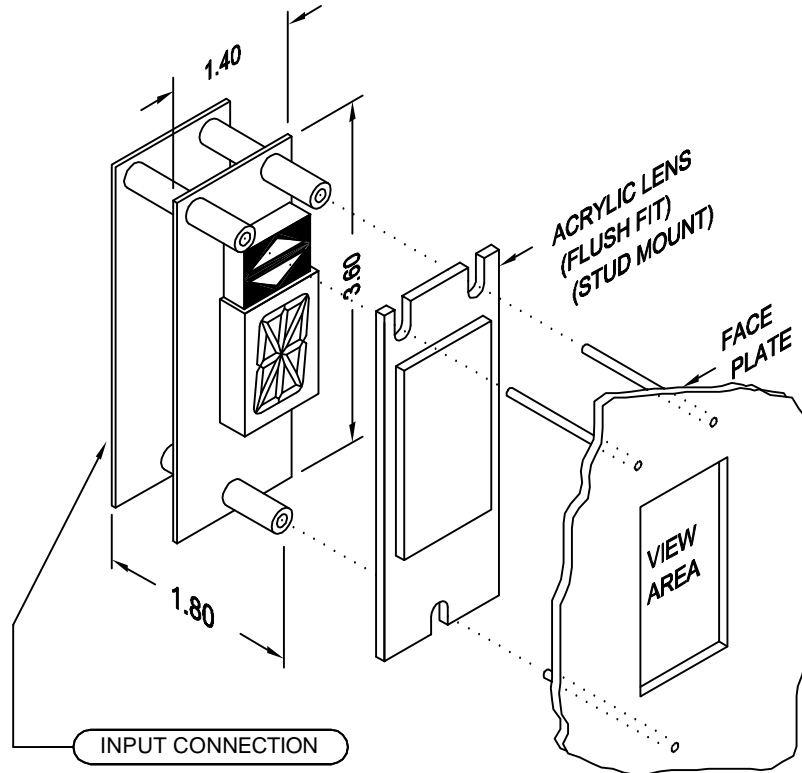
TO ORDER - SPECIFY MV110 - X X X

### COLOR:

- "RR" = RED CHARACTER, RED ARROW
- "AR" = AMBER CHARACTER, RED ARROW
- "GR" = GREEN CHARACTER, RED ARROW
- "BR" = BLUE CHARACTER, RED ARROW
- "WR" = WHITE CHARACTER, RED ARROW
- "GG" = GREEN CHARACTER, GREEN ARROW
- "BB" = BLUE CHARACTER, BLUE ARROW
- "WW" = WHITE CHARACTER, WHITE ARROW

### LENS:

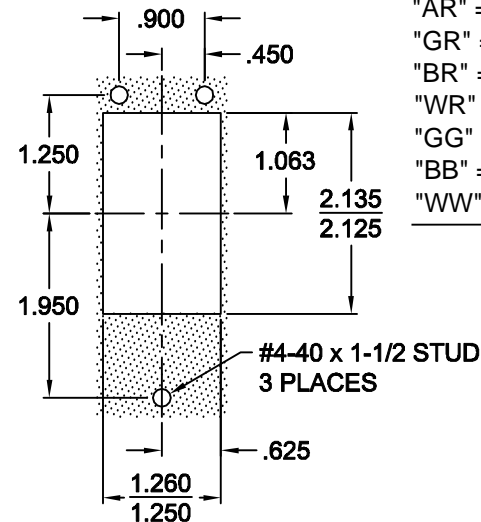
- "R" = RED
- "G" = GRAY
- "B" = BLUE
- "X" = NO LENS



### RENEWAL PARTS

- Lens: 104-5610 RED
- Lens: 104-6010 GRAY
- Lens: 104-9610 BLUE

### PANEL PREPARATION



NOTE: 1 INCH CHARACTER

1. This is not a stand alone unit. Must be used in conjunction with a Micro Comm interface.
2. Can not have Red Lens with a non-red display.