



## MHETC-XX

2.2 INCH DISPLAY | 3.0 INCH LED EXTENDED ARROW



## MICRO COMM

3.0 INCH LED EXTENDED ARROW

Long life, solid state bi-color, solid white or solid blue arrow for lanterns, 100,000 hour rated life. Accepts existing signals over the Micro Comm link. The unit has a double digit 2 inch display with a 3 inch arrow. The unit is also equipped with an arrival gong. The programming is dip switch selectable.

### TYPICAL APPLICATIONS:

- > Hall and car lanterns
- > Pl. combo on extended version

### FEATURES:

- > Bi-color - red/green, solid white, solid blue 3 inch arrow
- > 2 inch characters
- > Solid side bar/arrow
- > 1 year factory warranty
- > Conforms to ADAAG 4.10.4
- > Includes gong

### METAL:

- > 70100040



**C.E. Electronics, Inc. (US)** 2107 Industrial Drive, Bryan, Ohio 43506 p: 419.636.6705 [www.cееlectronics.com](http://www.cееlectronics.com)

**C.E. Electronics, Ltd. (UK)** P.O. Box 1679 Marlow, Bucks SL7 3ZG, UK p: +44 (0) 1628 487633 [www.cееlectronics.co.uk](http://www.cееlectronics.co.uk)



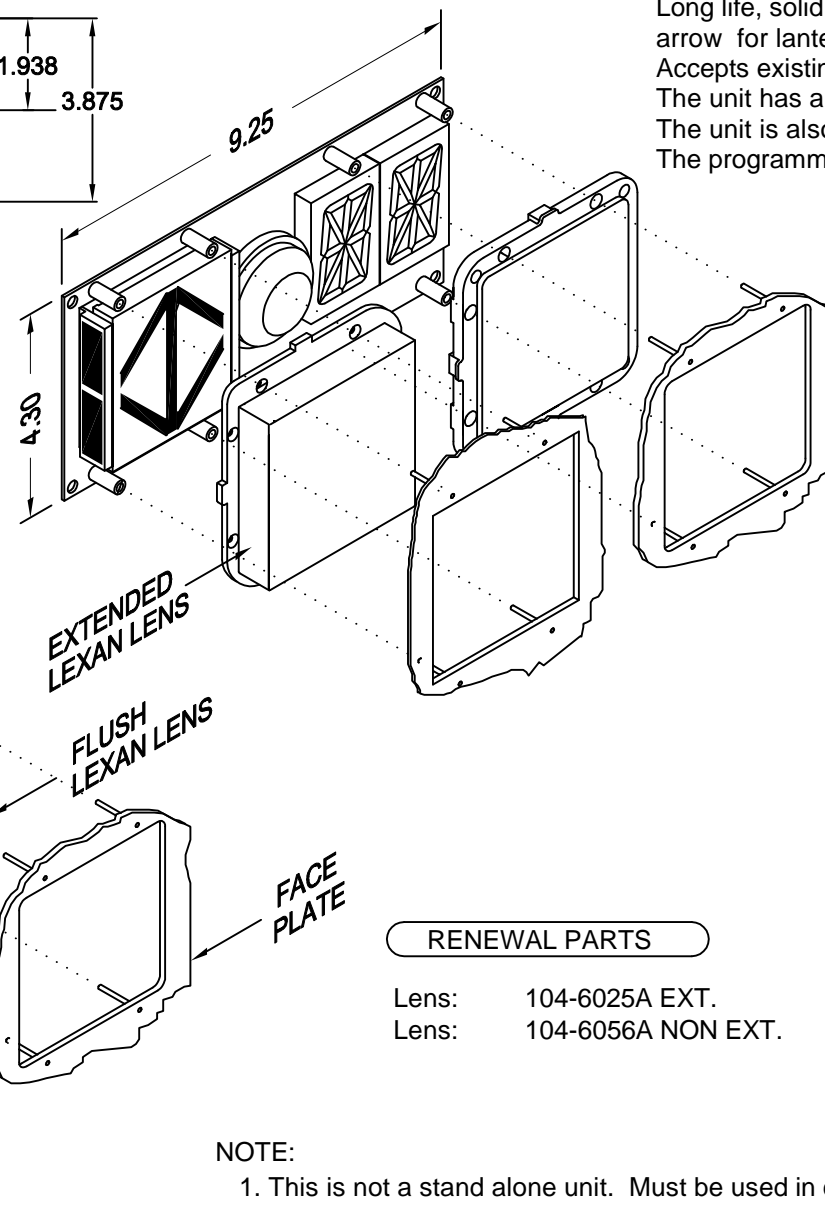
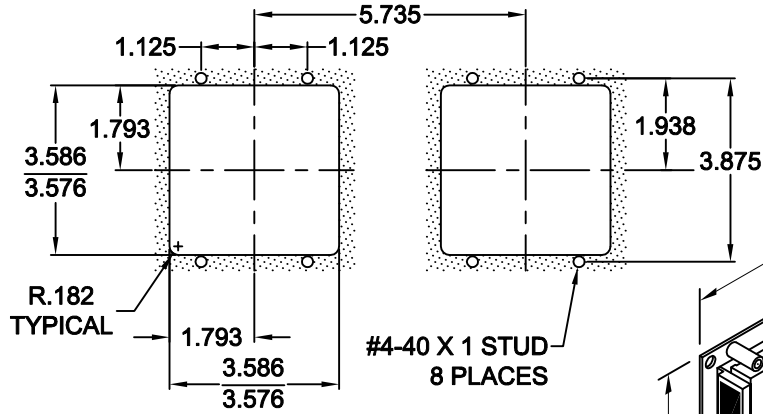
C.E. Electronics, Inc.  
 2107 Industrial Drive  
 Bryan, OH 43506  
 PH (419) 636-6705 FX (419) 636-2516  
 www.cееlectronics.com

# MHETC-XX

Ver. 7 Rel. 2/20/2014

MICRO COMM<sup>®</sup>  
 DISPLAYS

## PANEL PREPARATION



## MHETC-XX

### 3.0 INCH LED EXTENDED ARROW

Long life, solid state bi-color, solid white, solid blue arrow for lanterns, 100,000 hour rated life. Accepts existing signals over the Micro Comm link. The unit has a double digit 2 inch display with 3 inch arrow. The unit is also equipped with an arrival gong. The programming is dip switch selectable.

### Typical Applications

- Hall lanterns
- P.I. combo on extended version

### Features

- Bi-color red/green, solid blue or white 3 inch arrow
- 2 inch characters
- Solid side bar/arrow
- 1 year factory warranty
- Conforms to ADAAG 4.10.4
- Includes gong

### TO ORDER - SPECIFY MHETC-XX

E = EXTENDED  
 F = FLUSH

### RENEWAL PARTS

Lens: 104-6025A EXT.  
 Lens: 104-6056A NON EXT.

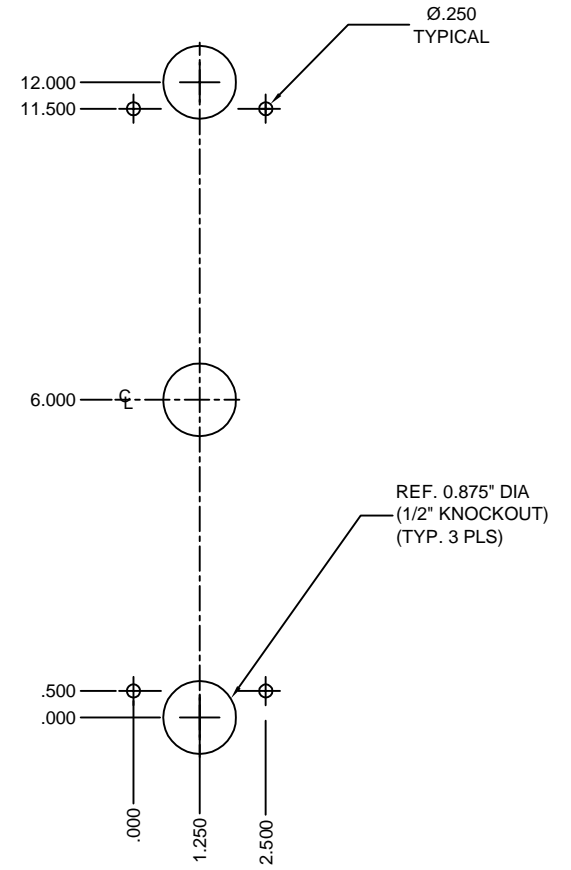
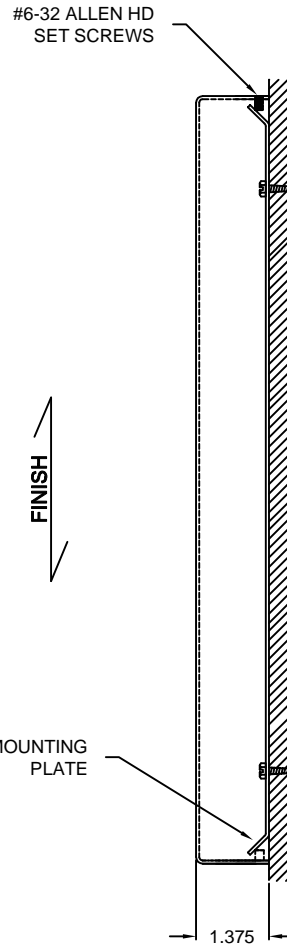
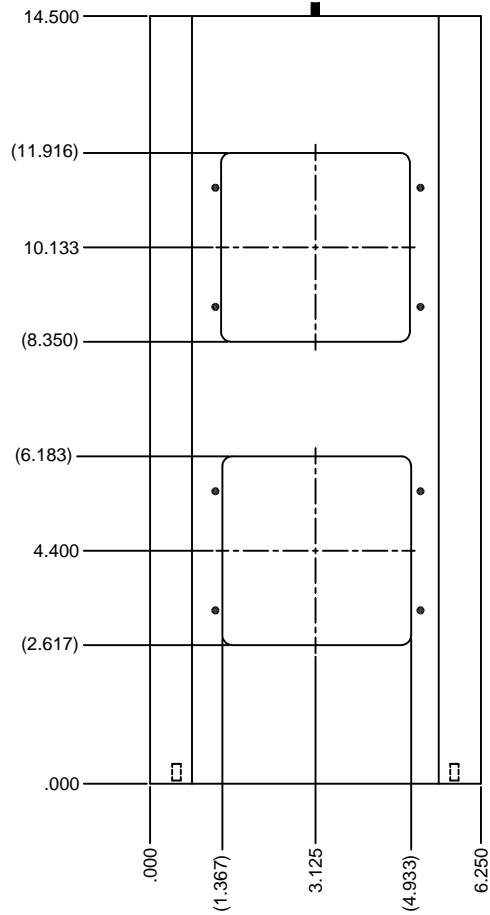
### LED COLOR:

"R" = RED digits, bicolor lantern  
 "G" = GREEN digits, bicolor lantern  
 "B" = BLUE digits, blue lantern  
 "W" = WHITE digits, white lantern

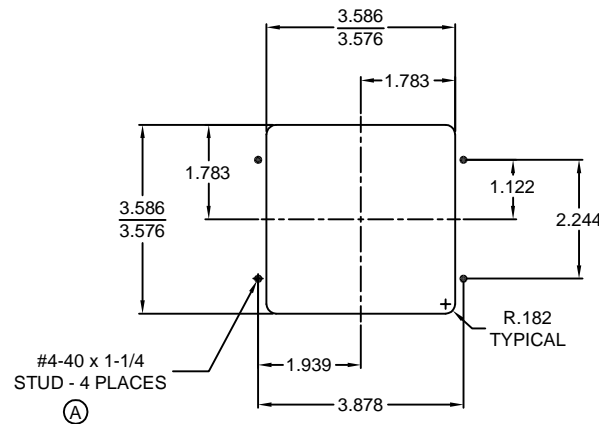
### NOTE:

1. This is not a stand alone unit. Must be used in conjunction with a Micro Comm interface.
2. 1-1/2 INCH MINIMUM DEPTH OF UNIT

COVER PLATE



DETAIL



CUT-OUT & MTG. DETAIL

MATERIAL: 16 GA (.06) STAINLESS STEEL  
 FINISH: #4 BRUSHED - VERTICAL GRAIN  
 NOTE: BACK PLATE INCLUDED

LENS NUMBER:	BOARD # & REV:
APPROVED BY:	
Signature: _____	
Date: _____	
Company: _____	

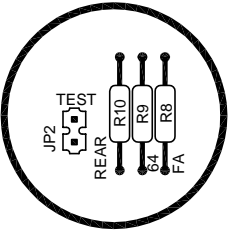
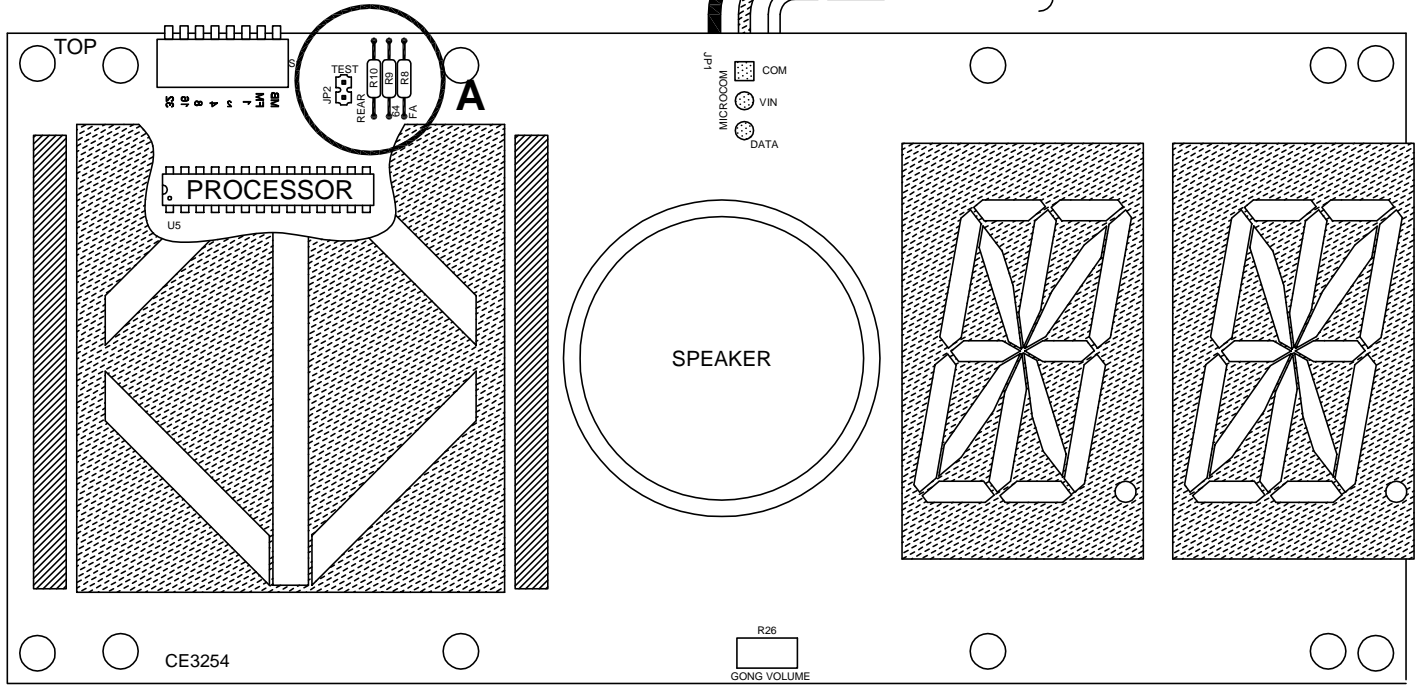
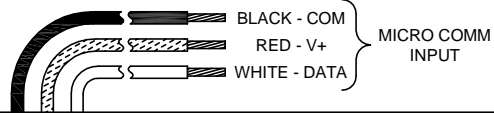
DATE DRAWN: 10/25/06	LAST DATE REVISED: 10/14/2016	SCALE	PART #
DRAWN BY: D.W.S.	TOLERANCE UNLESS OTHERWISE SPECIFIED: ±.015		C.E. ELECTRONICS, INC. 2107 Industrial Drive Bryan, Ohio 43506 (419) 636-6705
REQUESTED BY: C.S.	TOLERANCE FOR CUTOUT (WINDOW):		
TITLE: OTIS SPECTRA SERIES SURFACE MOUNT METAL			DWG. NO. 70100040
			REV: A

CODE VERSION \_\_\_\_\_

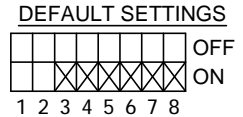
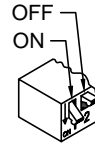
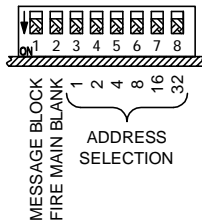
# MHETC

JOB# \_\_\_\_\_

BOARD VERSION CE3254 \_\_\_\_\_



**A**



**FLOOR ADDRESS CHART**

TO DISPLAY THE ARRIVAL LANTERN AT THE CORRECT FLOOR LEVEL, SET THE DIP SWITCHES AS FOLLOWS (0=OFF, 1=ON)

DS8	DS7	DS6	DS5	DS4	DS3	FLOOR	DS8	DS7	DS6	DS5	DS4	DS3	FLOOR
0	0	0	0	0	0	ALL CALL	1	0	0	0	0	0	FLOOR #32
0	0	0	0	0	1	FLOOR #1	1	0	0	0	0	1	FLOOR #33
0	0	0	0	1	0	FLOOR #2	1	0	0	0	1	0	FLOOR #34
0	0	0	0	1	1	FLOOR #3	1	0	0	0	1	1	FLOOR #35
0	0	0	1	0	0	FLOOR #4	1	0	0	1	0	0	FLOOR #36
0	0	0	1	0	1	FLOOR #5	1	0	0	1	0	1	FLOOR #37
0	0	0	1	1	0	FLOOR #6	1	0	0	1	1	0	FLOOR #38
0	0	0	1	1	1	FLOOR #7	1	0	0	1	1	1	FLOOR #39
0	0	1	0	0	0	FLOOR #8	1	0	1	0	0	0	FLOOR #40
0	0	1	0	0	1	FLOOR #9	1	0	1	0	0	1	FLOOR #41
0	0	1	0	1	0	FLOOR #10	1	0	1	0	1	0	FLOOR #42
0	0	1	0	1	1	FLOOR #11	1	0	1	0	1	1	FLOOR #43
0	0	1	1	0	0	FLOOR #12	1	0	1	1	0	0	FLOOR #44
0	0	1	1	0	1	FLOOR #13	1	0	1	1	0	1	FLOOR #45
0	0	1	1	1	0	FLOOR #14	1	0	1	1	1	0	FLOOR #46
0	0	1	1	1	1	FLOOR #15	1	0	1	1	1	1	FLOOR #47
0	1	0	0	0	0	FLOOR #16	1	1	0	0	0	0	FLOOR #48
0	1	0	0	0	1	FLOOR #17	1	1	0	0	0	1	FLOOR #49
0	1	0	0	1	0	FLOOR #18	1	1	0	0	1	0	FLOOR #50
0	1	0	0	1	1	FLOOR #19	1	1	0	0	1	1	FLOOR #51
0	1	0	1	0	0	FLOOR #20	1	1	0	1	0	0	FLOOR #52
0	1	0	1	0	1	FLOOR #21	1	1	0	1	0	1	FLOOR #53
0	1	0	1	1	0	FLOOR #22	1	1	0	1	1	0	FLOOR #54
0	1	0	1	1	1	FLOOR #23	1	1	0	1	1	1	FLOOR #55
0	1	1	0	0	0	FLOOR #24	1	1	1	0	0	0	FLOOR #56
0	1	1	0	0	1	FLOOR #25	1	1	1	0	0	1	FLOOR #57
0	1	1	0	1	0	FLOOR #26	1	1	1	0	1	0	FLOOR #58
0	1	1	0	1	1	FLOOR #27	1	1	1	0	1	1	FLOOR #59
0	1	1	1	0	0	FLOOR #28	1	1	1	1	0	0	FLOOR #60
0	1	1	1	0	1	FLOOR #29	1	1	1	1	0	1	FLOOR #61
0	1	1	1	1	0	FLOOR #30	1	1	1	1	1	0	FLOOR #62
0	1	1	1	1	1	FLOOR #31	1	1	1	1	1	1	FLOOR #63

The Micro Comm driver must be programmed to send the correct message level to activate the features listed below.

To block displaying level one messages, turn on DIP switch 1 (MB).

To blank the display during a fire main (level three) message, turn on DIP switch 2 (FM).

To blank the display during a fire alternate (level two) message, remove resistor R8 (FA) from the board.

To operate the display as a hall (arrival) lantern, use the chart to set the DIP switch to the desired floor. For floors above 63, remove resistor R9 (64) from the board, subtract 64 from the desired floor number, and set the DIP switch for the resulting floor number. For example, to set the unit for floor 75, remove resistor R9 and set the DIP switches for floor 11 (75 - 64 = 11). NOTE: The Micro Comm driver must be set up to send arrival information.

To operate the display as an in-car lantern using travel signals, the unit must have resistor R9 (64) installed and DIP switches 3-8 turned off.

To operate the display as an in-car lantern using arrival signals, the unit must have resistor R9 (64) removed and DIP switches 3-8 turned on.

To operate the display as a rear lantern, remove resistor R10 (REAR) from the board. NOTE: The Micro Comm driver must be sending the MC2000 data stream to use this feature. Call Tech Support at 419-636-6705 for more information.

NOTE: MUST BE USED WITH A CLASS 2 POWER SUPPLY.

DATE DRAWN: 06/24/08	DRAWN BY: DAC	REQUESTED BY: DV	C.E. ELECTRONICS, INC. 2107 Industrial Drive Bryan, Ohio 43008 (419) 636-6705
BOARD NUMBER: 3254	LAST DATE REVISED: 11/05/08	APPROVED BY:	
PRODUCT MHETC		DWG. NO. MHETC_01	