



C.E. Electronics, Inc.
 2107 Industrial Drive
 Bryan, OH 43506
 PH (419) 636-6705 FX (419) 636-2516
 www.cееlectronics.com

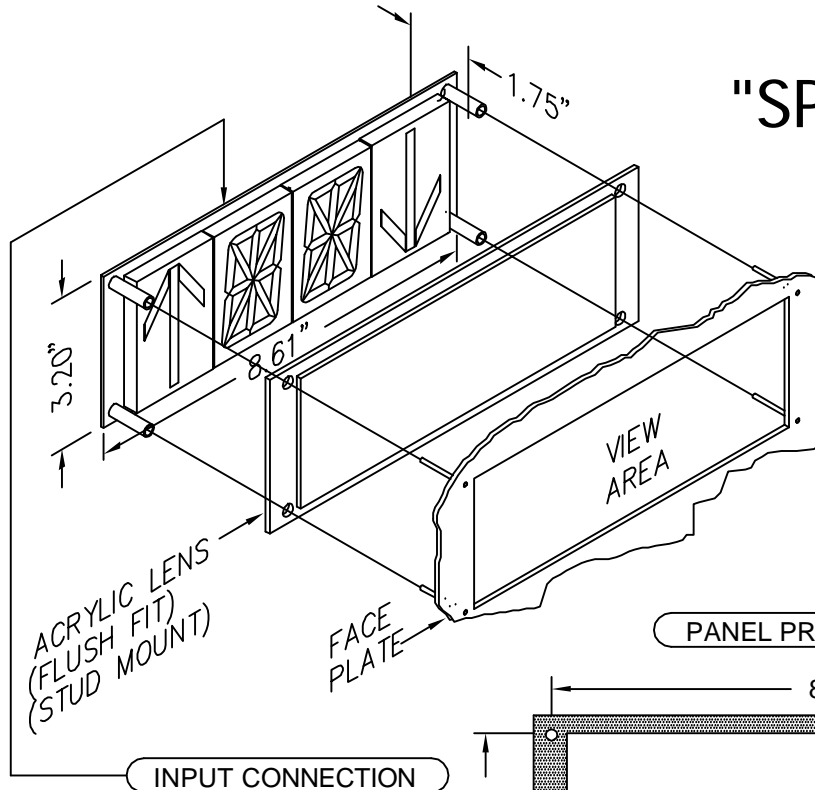
MH522-XXXX

Ver. 4 Rel. 9/17/2020

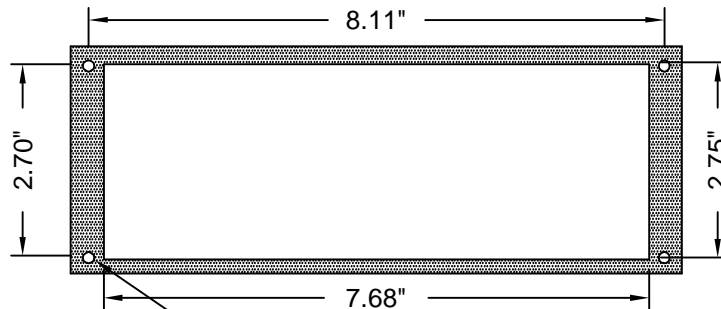
MICRO COMM[®]
 DISPLAYS

"SPECIAL ORDER"

BUILD AS REQUIRED

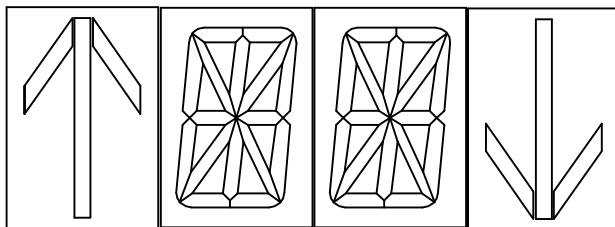


PANEL PREPARATION



#6-32 x 1 1/2" STUD MIN
 (TYP. 4 PLACES)

CUTOUT TOLERANCE: +.020
 - 0.0



2.2" CHARACTERS
 2.5" ARROWS

NOTE:

1. This is not a stand alone unit. Must be used in conjunction with a Micro Comm interface.

REMOTE DISPLAY INDICATOR "RDI"

Segmented LED, digital indicator for floor position display, as well as car direction. Any alphanumeric character can be displayed in either single or double digit floor designations.

Typical Applications:

- Car-OP Panel
- Transom-car or Hall

Features:

- Latched inputs
- Cross wire protected
- Self testing
- Alternate message
- Passing chime output
- Error detection and correction feature
- Low Profile

RENEWAL PARTS

Lens: 104-5614 RED

Lens: 104-6094 GRAY

TO ORDER - SPECIFY MH522 - X X X X

COLOR:

- "RRR" = RED CHARACTER, RED UP, RED DOWN
- "GRR" = GREEN CHARACTER, RED UP, RED DOWN
- "GGG" = GREEN CHARACTER, GREEN UP, GREEN DOWN
- "RGG" = RED CHARACTER, GREEN UP, GREEN DOWN
- "RGR" = RED CHARACTER, GREEN UP, RED DOWN
- "GGR" = GREEN CHARACTER, GREEN UP, RED DOWN
- "BBB" = BLUE CHARACTER, BLUE UP, BLUE DOWN
- "WWW" = WHITE CHARACTER, WHITE UP, WHITE DOWN

LENS:

"R" = RED

"G" = GRAY

"X" = NO LENS