

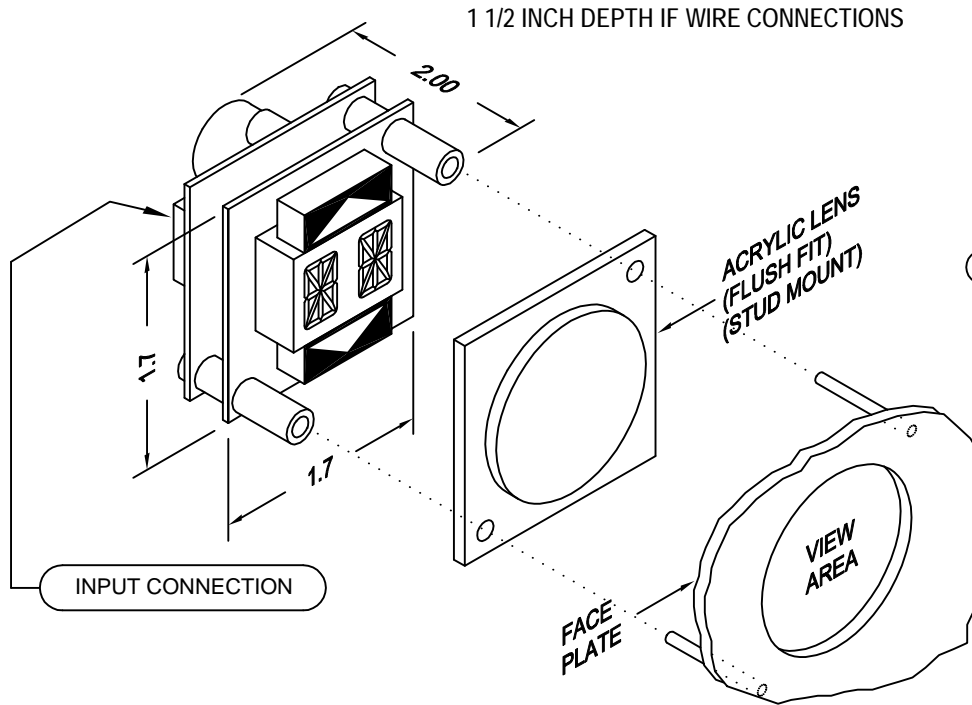


C.E. Electronics, Inc.  
 2107 Industrial Drive  
 Bryan, OH 43506  
 PH (419) 636-6705 FX (419) 636-2516  
 www.ceelectronics.com

# ME205-XXX

Ver. 9 Rel. 10/25/2016

MICRO COMM<sup>®</sup>  
 DISPLAYS



### RENEWAL PARTS

- Lens: 104-0511 RED
- Lens: 104-6016 GRAY
- Lens: 104-9016 BLUE

### REMOTE DISPLAY INDICATOR "RDI"

Segmented LED, digital indicator for floor position display, as well as car direction. Any alphanumeric character can be displayed in either single or double digit floor designations.

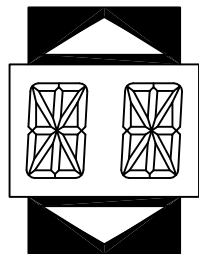
#### Typical Applications:

- Replacement for IEE rear projection bulb indicators for lobby and security panels. For limited space applications, such as hall station retrofits.

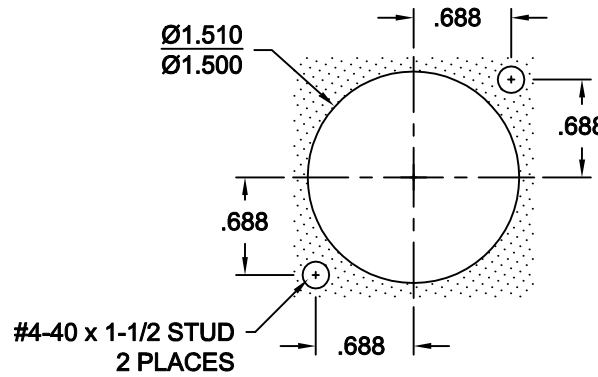
#### Features:

- Fast, 3-wire hookup
- Latched inputs
- Cross wire protected
- Self testing
- Alternate message
- Error detection and correction feature
- Passing chime not available on this unit

### PANEL PREPARATION



1/2 INCH CHARACTERS



### TO ORDER - SPECIFY ME205 - X X X

#### COLOR:

- "R" = RED SEGMENTS / RED ARROWS
- "G" = GREEN SEGMENTS / RED ARROWS
- "B" = BLUE SEGMENTS / BLUE ARROWS

#### LENS:

- "R" = RED
- "G" = GRAY
- "B" = BLUE
- "X" = NO LENS

- "W" = WIRE CONNECTIONS
- <BLANK> = GREEN CONNECTOR

### NOTE:

1. This is not a stand alone unit. Must be used in conjunction with a Micro Comm interface.