

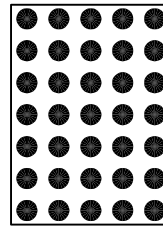
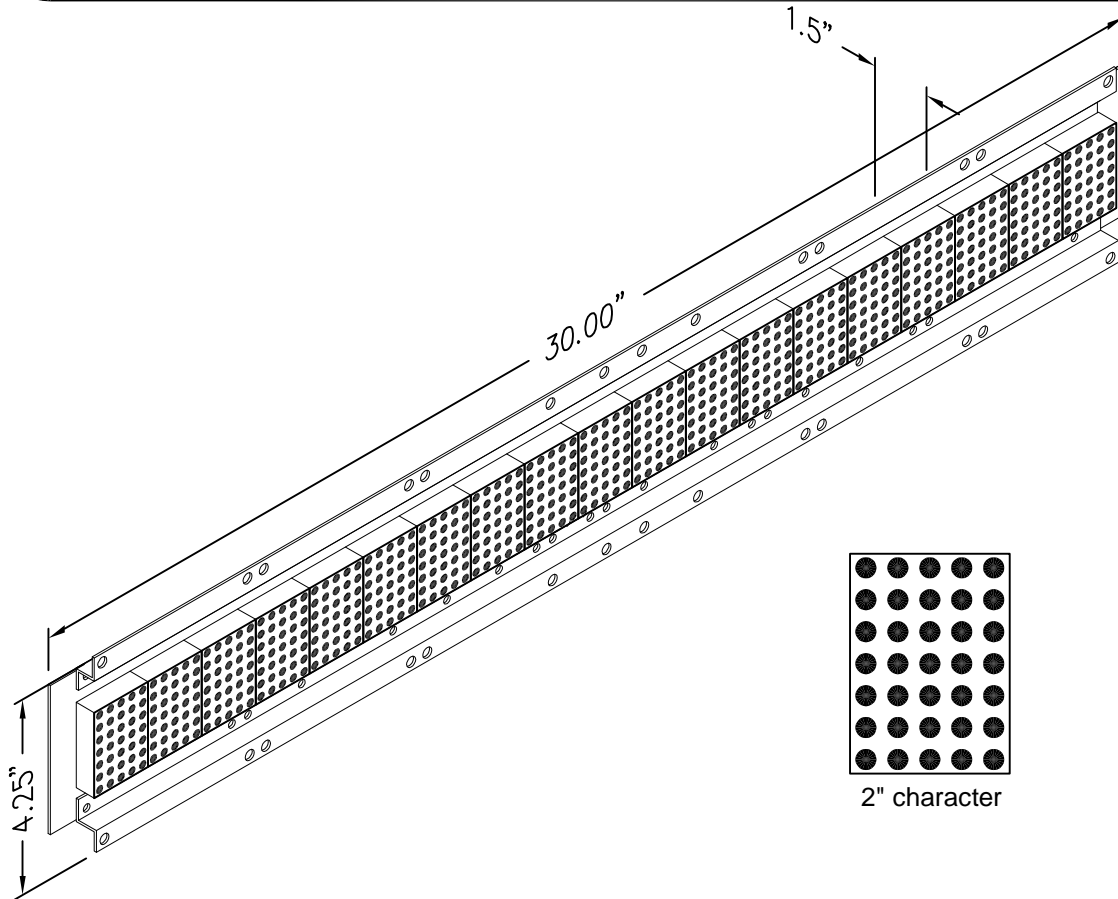


C.E. Electronics, Inc.
 2107 Industrial Drive
 Bryan, OH 43506
 PH (419) 636-6705 FX (419) 636-2516
 www.ccelectronics.com

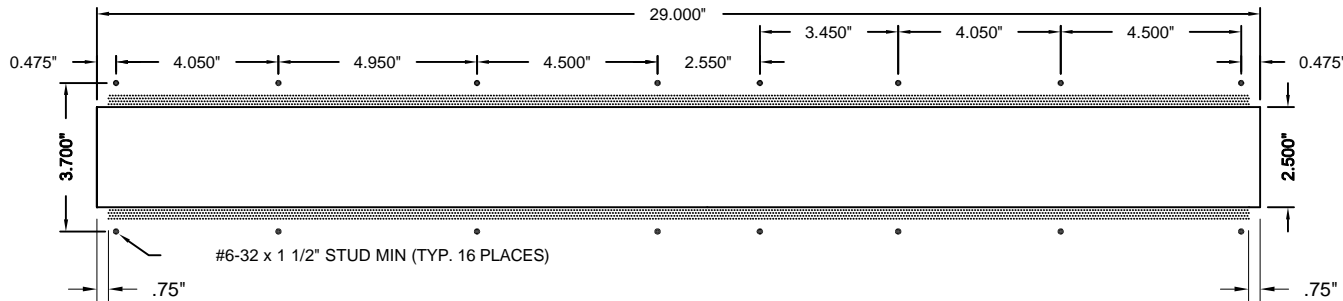
MDBA19-XXXXXX

Ver. 5 Rel. 08/14/2012

DESTINATION
 BASED



2" character



DESTINATION BASED ANNUNCIATORS

The display is capable of showing destination based information. It can show a full screen worth of floors (typically 8), if more floors need to be shown, then the display will scroll the floors. Versatile scrolling message displays any alphanumeric character within a 2 inch LED 19 digit screen.

Features:

- 8 messages
- Destination based floor
- Micro Comm Inputs



Listed 5N50
 Elevator Accessory

TO ORDER:-SPECIFY MDBAXX - XXXXXX

"19" = 19 CHARACTER

"H" = HORIZONTAL

"D" = 2"

LENS
 "R" = RED
 "G" = GRAY
 "B" = BLUE
 "X" = NO LENS

"00" = CAN INTERFACE
 "MC" = MICROCOMM
 "32" = 32 INPUTS OR < DISCRETE
 "64" = 64 INPUTS OR < DISCRETE
 "96" = 96 INPUTS OR < DISCRETE

"R" = RED
 "G" = GREEN
 "A" = AMBER
 "B" = BLUE
 "W" = WHITE

RENEWAL PARTS

Lens: 104-5649 RED