

Network Router

WAN IP ADDR: _____
 WAN MASK: _____
 WAN GATEWAY: _____
 USER ID: _____
 PASSWORD: _____

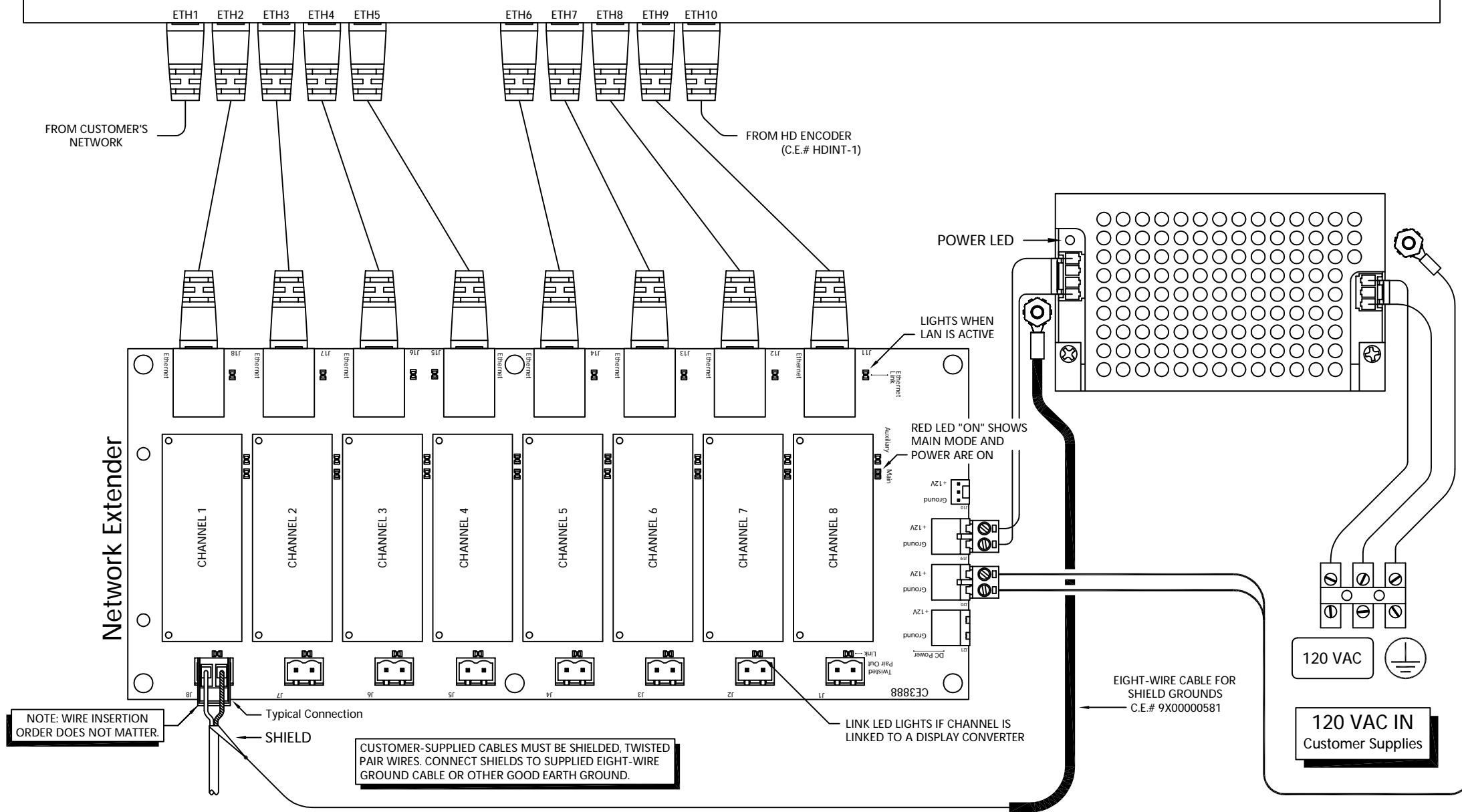
ENETB-XRCX

LAN - TWP NETWORK BOX

LAN (ETH10) IP ADDR: _____
 LAN IP RANGE: _____
 LAN IP MASK: _____
 FIRMWARE: _____

CONVERTER MODE: _____
 FIRMWARE: _____


**SEE ADDITIONAL
INFORMATION ON BACK**



NOTE: WIRE INSERTION ORDER DOES NOT MATTER.

CUSTOMER-SUPPLIED CABLES MUST BE SHIELDED, TWISTED PAIR WIRES. CONNECT SHIELDS TO SUPPLIED EIGHT-WIRE GROUND CABLE OR OTHER GOOD EARTH GROUND.

LINK LED LIGHTS IF CHANNEL IS LINKED TO A DISPLAY CONVERTER

DATE DRAWN: 08/29/19	DRAWN BY: DAC	REQUESTED BY: TE	 C.E. ELECTRONICS, INC. 2107 Industrial Drive Bryan, OH 43506 (419) 636-6705
BOARD NUMBER: 3888	LAST DATE REVISED: 04/09/21	APPROVED BY:	
PRODUCT: ENETB-XRCX 1-8 CHANNEL LAN-TWP NETWORK BOX			DWG. NO.: ENETB_04
			REV. A

