

# ED24W-AA2X

24" "WIDE" ELITE PI SERIES



## ELITE PI

24" "WIDE" ELITE PI

The MICRO COMM Elite PI is the most flexible position indicator available. With the Elite PI Designer software, you can customize your own position indicator by selecting background colors and textures, fonts, and arrow styles. This system is so flexible you can even determine where the display elements appear on the screen. In addition to design flexibility, the MICRO COMM Elite PI can display floor, priority, and time-based messages.

### TYPICAL APPLICATIONS:

- > Car operating panel
- > Car transom
- > Lobby

### FEATURES:

- > HD @720P
- > Streaming View
- > Self Testing
- > Elite PI Designer software
- > Elite PI Transfer software
- > MICRO COMM serial link input



**C.E. Electronics, Inc. (US)** 2107 Industrial Drive, Bryan, Ohio 43506 p: 419.636.6705 [www.ceelectronics.com](http://www.ceelectronics.com)

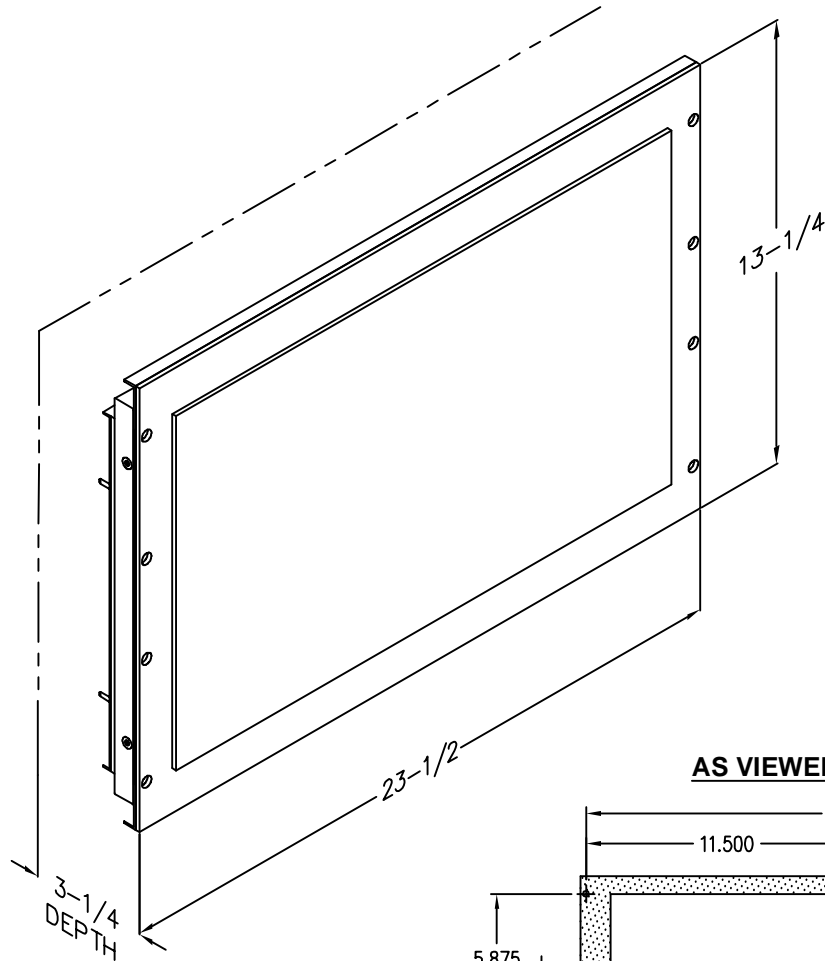
**C.E. Electronics, Ltd. (UK)** P.O. Box 1679 Marlow, Bucks SL7 3ZG, UK p: +44 (0) 1628 487633 [www.ceelectronics.co.uk](http://www.ceelectronics.co.uk)



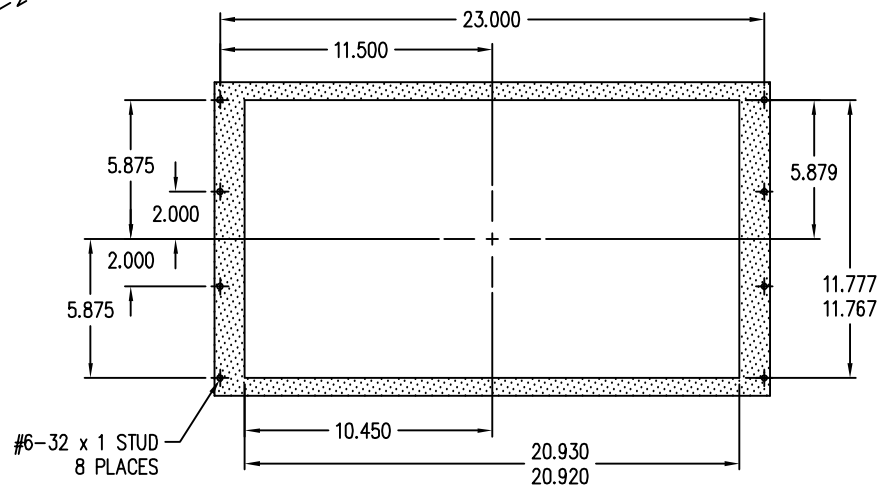
# ED24W-AA2X

Ver. 1 Rel. 1/9/2023

ELITE PI<sup>®</sup>



## AS VIEWED FROM FRONT



### 24 INCH "WIDE" Elite PI

The MICRO COMM Elite PI is the most flexible position indicator available. With the Elite PI Designer software, you can customize your own position indicator by selecting background colors and textures, fonts, and arrow styles. This system is so flexible you can even determine where the display elements appear on the screen. In addition to design flexibility, the MICRO COMM Elite PI can display floor, priority, and time-based messages.

#### Typical Applications

- Car operating panel
- Car transom
- Lobby

#### Features:

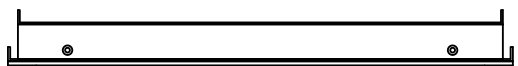
- Streaming View
- Self testing
- Elite PI Designer software
- Elite PI Transfer software
- MICRO COMM serial link input

Display Aspect Ratio: 16 x 9

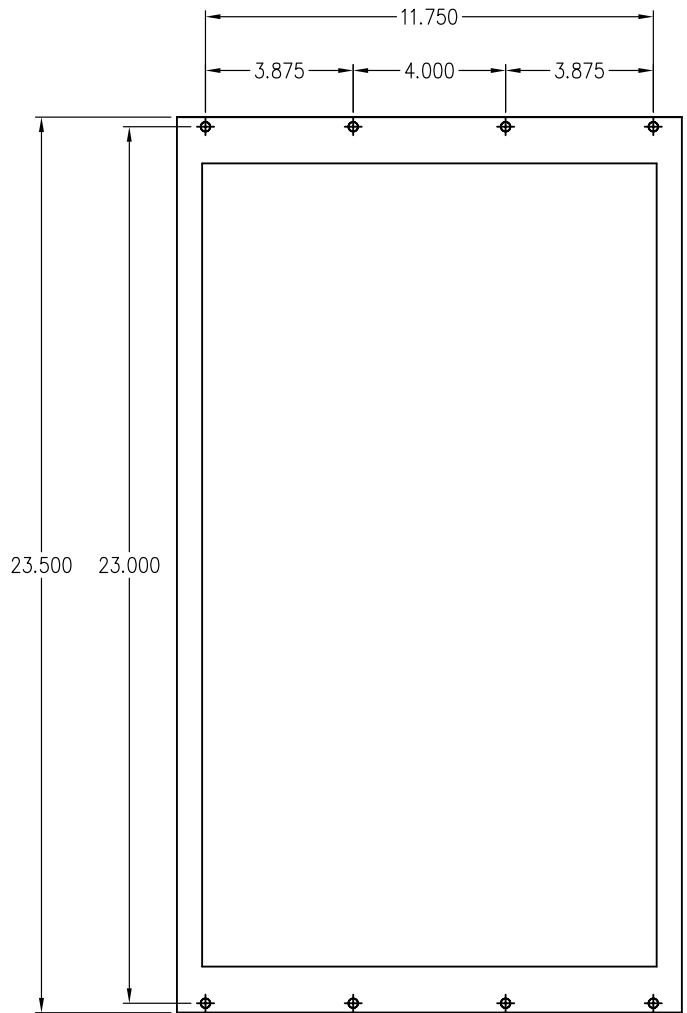
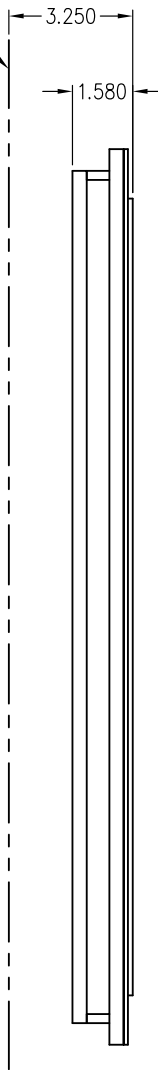
**TO ORDER: - ED24W-AA2X**

<BLANK> = LANDSCAPE  
 "P" = PORTRAIT


RELATED DRAWINGS	
DESCRIPTION	DRAWING NAME
PANEL PREP.	PP24W-AA2
DETAIL DIM.	DD24W-AA2

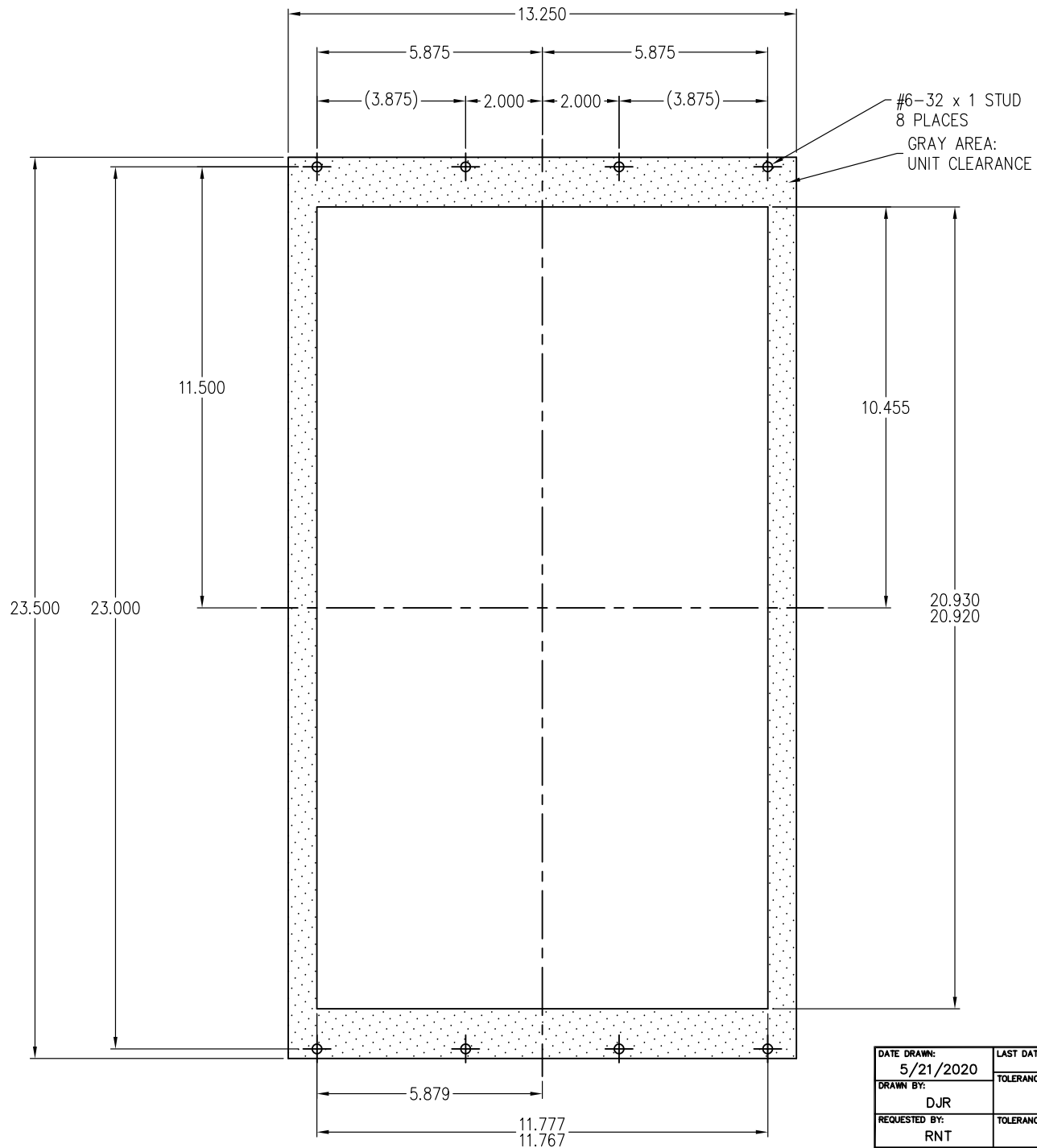


MINIMUM DEPTH  
REQUIRED




LENS NUMBER:	BOARD # & REV:
APPROVED BY:	
Signature:	
Date:	
Company:	

DATE DRAWN: 5/21/2020	LAST DATE REVISED	SCALE NTS	PART #
DRAWN BY: DJR	TOLERANCE UNLESS OTHERWISE SPECIFIED: ± .010		 C.E. ELECTRONICS, INC. 2107 Industrial Drive Bryan, Ohio 43506 (419) 636-6705
REQUESTED BY: RNT	TOLERANCE FOR CUTOUT (WINDOW):		
TITLE: DETAILED DRAWING 24 INCH UNIT			DWG. NO. DD24W-AA2



LENS NUMBER:	BOARD # & REV:
APPROVED BY:	
Signature:	
Date:	
Company:	

DATE DRAWN: 5/21/2020	LAST DATE REVISED	SCALE NTS	PART #
DRAWN BY: DJR	TOLERANCE UNLESS OTHERWISE SPECIFIED: ± .010		 C.E. ELECTRONICS, INC. 2107 Industrial Drive Bryan, Ohio 43506 (419) 636-6705
REQUESTED BY: RNT	TOLERANCE FOR CUTOUT (WINDOW):		
TITLE: PANEL PREP FOR 24 INCH UNIT			DWG. NO. PP24W-AA2
			REV: