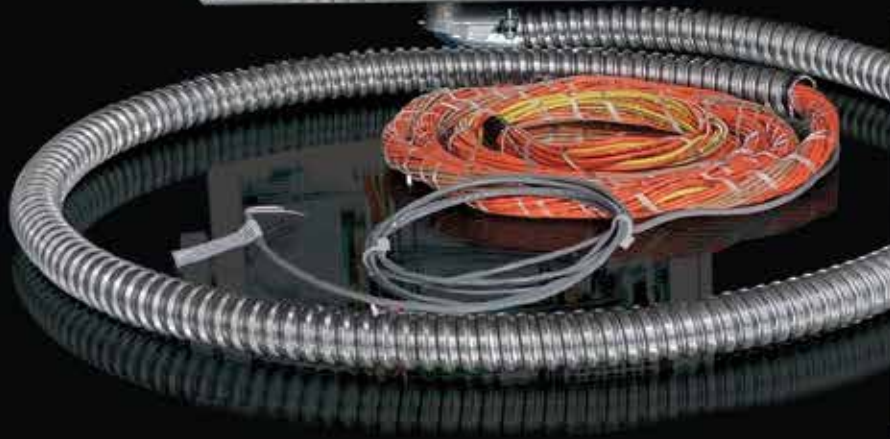


> DLMS1-D

C.E. SYSTEMS



ELEVATOR CAB DOOR MONITORING

EXISTING CODE REQUIRED SAFETY UPGRADE

A17.3* code requires that all existing elevators are equipped with an additional cab door monitoring system and logic. A17.3 code for existing elevators implements safety enhancements retroactively.

Code for new elevators has included this cab door safety feature for many years. Additional system sensors and logic ensures that the elevator will not operate with faulty door contacts.

BENEFITS OF UPGRADE:

- > Enhances Safety for Riding Public
- > Provides Code Required Operation
- > Designed for Compatibility with Older Elevators

CAB DOOR MONITORING UPGRADE:

- > New Logic System & Boards
- > New Cab Door Sensors
- > New Power Supply
- > New NEMA 1 Cabinet
- > Updated Software / Logic
- > Regulatory and A17.3 Compliance
- > A17.3 Code Year 2015



C.E. Electronics, Inc. (US) 2107 Industrial Drive, Bryan, Ohio 43506 p: 419.636.6705 www.ceelectronics.com

C.E. Electronics, Ltd. (UK) P.O. Box 1679 Marlow, Bucks SL7 3ZG, UK p: +44 (0) 1628 487633 www.ceelectronics.co.uk

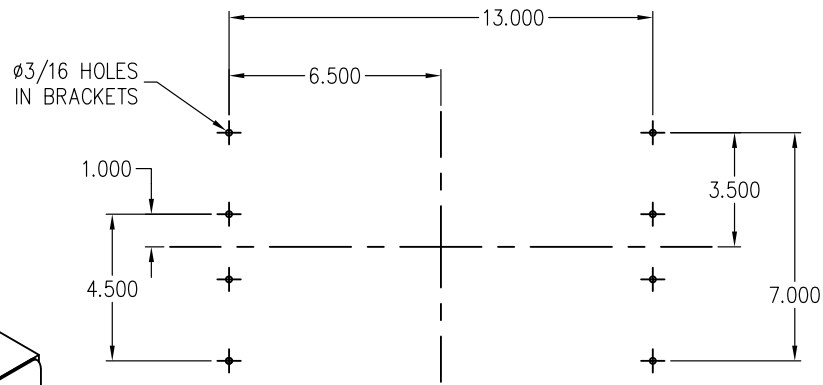
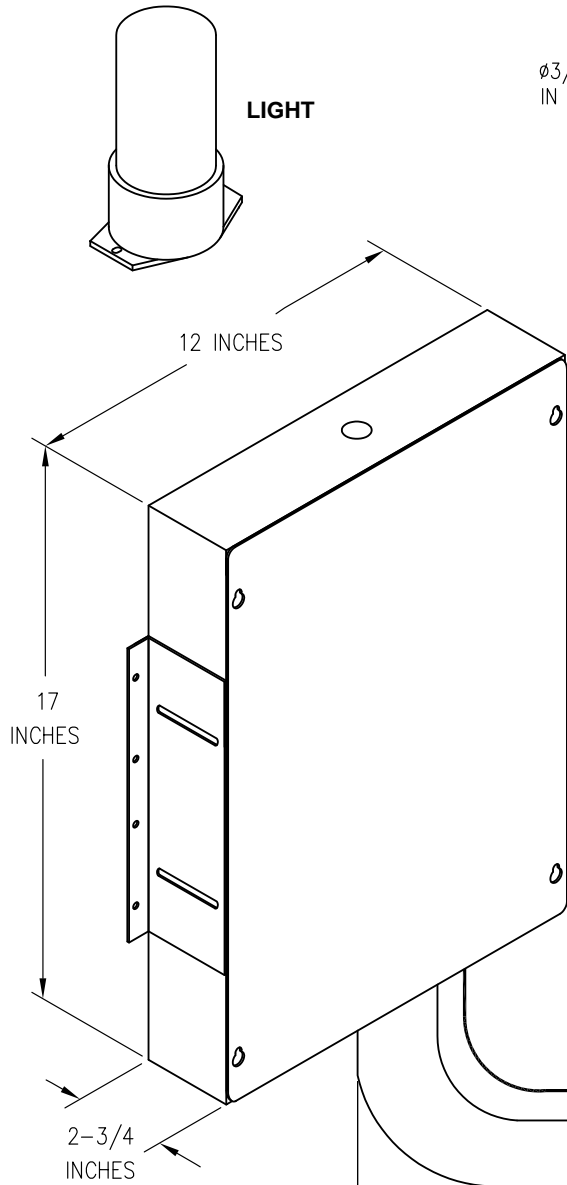


C.E. Electronics, Inc.
 2107 Industrial Drive
 Bryan, OH 43506
 PH (419) 636-6705 FX (419) 636-2516
 www.ceelectronics.com

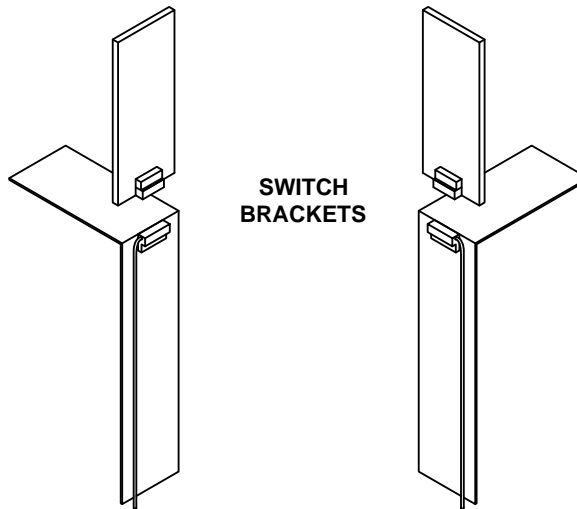
DLMS1-D

Ver 2. Rel. 9/18/2023

ACCESSORIES



**DLMS1-D
MOUNTING DETAIL**



ELEVATOR CAB DOOR MONITORING EXISTING CODE REQUIRED SAFETY UPGRADE

A17.3* code requires that all existing elevators are equipped with an additional cab door monitoring system and logic. A17.3 code for existing elevators implements safety enhancements retroactively.

BENEFITS OF UPGRADE

- Enhances Safety for Riding Public
- Provides Code Required Operation
- Designed for Compatibility with Older Elevators

CAB DOOR MONITORING UPGRADE

- New Logic System & Boards
- New Cab Door Sensors
- New Power Supply
- New NEMA 1 Cabinet
- Updated Software/Logic
- Regulatory and A17.3 Compliance
- A17.3 Code Year 2015

TO ORDER: DLMS1-D

