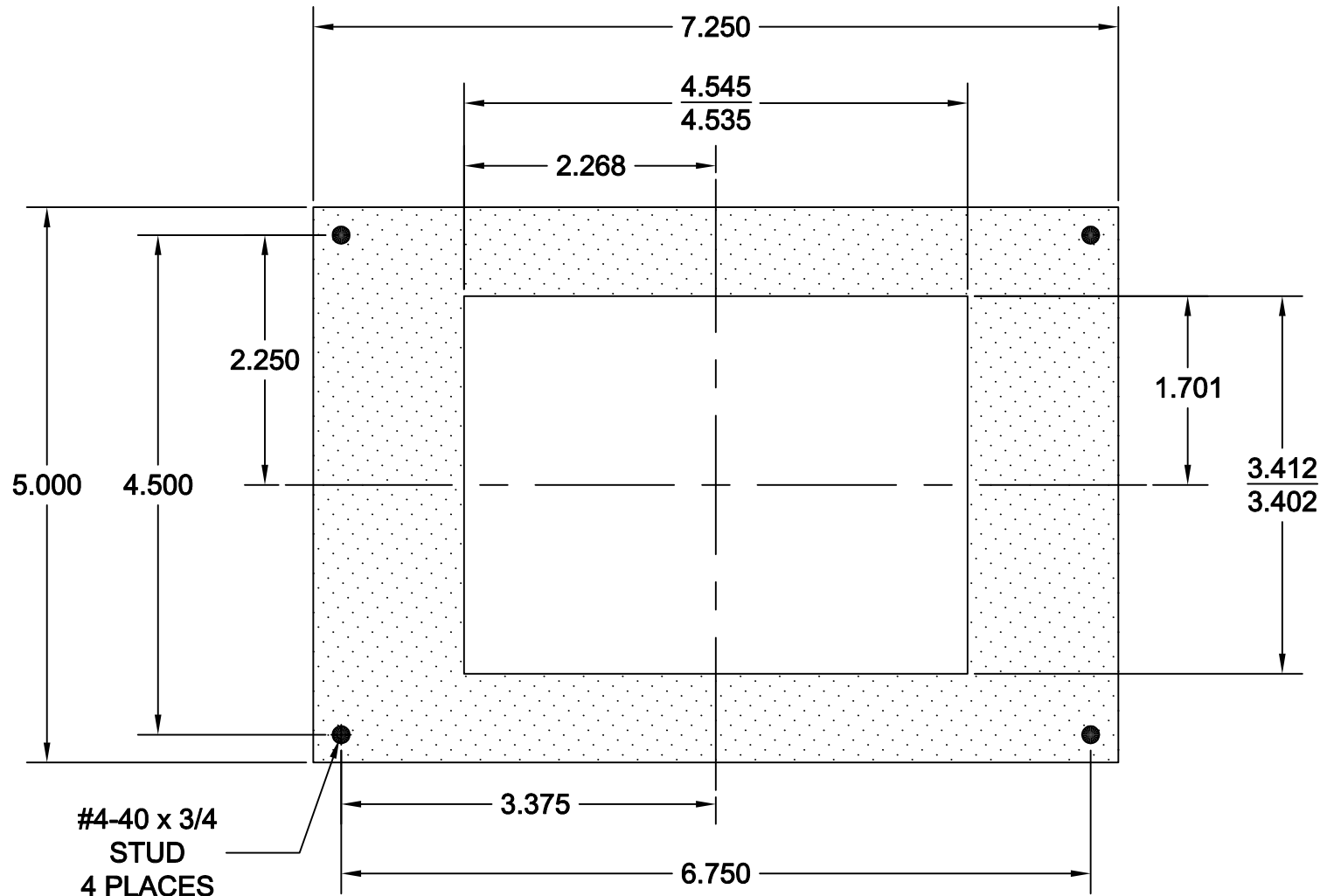


PP57-1

Ver. 2 Rel. 10/27/2016



LENS NUMBER:	BOARD # & REV:
APPROVED BY:	
Signature: _____	
Date: _____	
Company: _____	

DATE DRAWN: 10/09/06	LAST DATE REVISED:	SCALE: NONE	PART #:
DRAWN BY: D.W.S.	TOLERANCE UNLESS OTHERWISE SPECIFIED: ±.015		C.E. ELECTRONICS, INC. 2107 Industrial Drive Bryan, Ohio 43506 (419) 636-6705
REQUESTED BY: C.S.	TOLERANCE FOR CUTOUT (WINDOW):		
TITLE:	DWG. NO. PP57-1	REV:	