



C.E. Electronics, Inc.
 2107 Industrial Drive
 Bryan, OH 43506
 PH (419) 636-6705 FX (419) 636-2516
www.ccelectronics.com

MGONG-FX

Ver. 1 Rel. 05/20/02

MICRO COMM[®]

ARRIVAL GONG

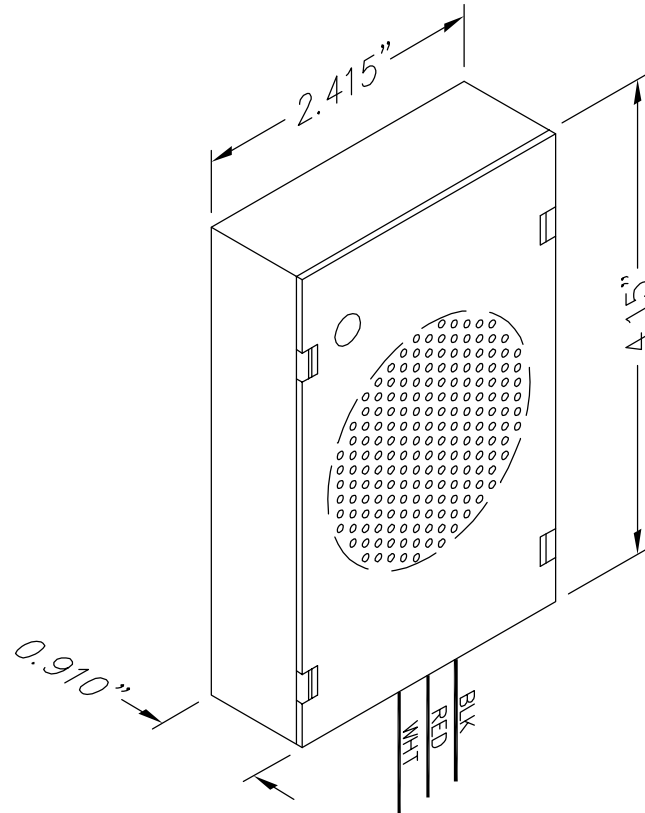
This unit is designed to sound: Arrival gong from the Micro Comm 3 wire network.

Typical Applications

- For car or hall audio indications

Features:

- Adjustable volume
- Arrival chime
- Compact Design
- Serial Hookup
- Conforms to ADAAG 4.10.4



TO ORDER: SPECIFY MGONG - F X

BUILD:
 "F" = FLAT

FORMAT:

"A" = ARRIVAL ARROW SIGNALING

"T" = TRAVELING ARROW SIGNALING