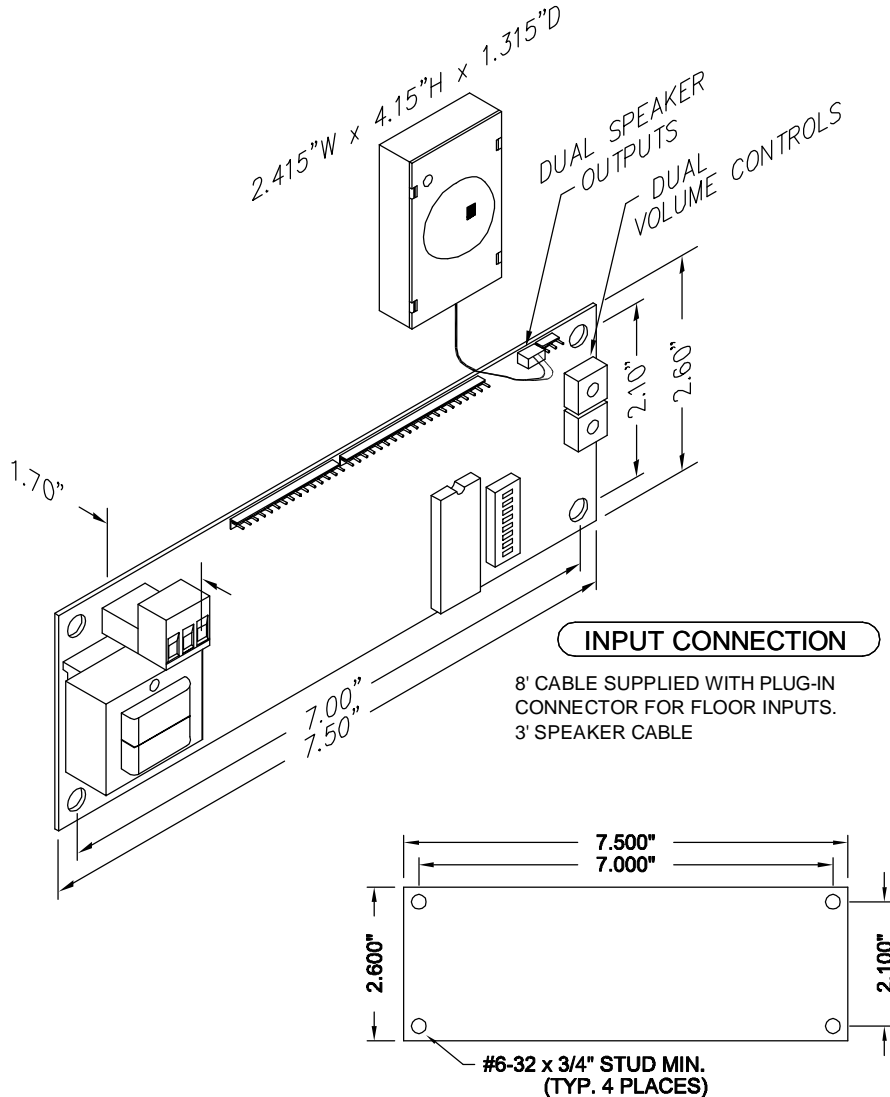




# MDPCB-XXXXXX

Ver. 2 Rel. 01/20/03

A.D.A.



**Features:**

- On board decoding
- Isolated inputs
- Self contained unit
- Dual volume control
- 2 speaker outputs
- Low cost
- Micro processor control
- Error detection and correction feature
- Conforms to ADAAG Sec. 4.10.4, 4.10.13

**Typical Applications:**

- Car-op panel or transom

**DISCRETE PASSING CHIME**

Discrete passing chime gives an audible response when a floor is passed in either direction. The unit is also available with several options, such as: Arrival gong, nudging buzzer, fire alarm. This unit was designed to meet with ADA requirements.

**Options:**

- Arrival gong
- Nudging buzzer
- 16/31 inputs
- Dual speakers
- Gong strobe

**TO ORDER - SPECIFY MDPCB-X X X X X X**

**INPUT:**  
 "1" = 16 INPUT  
 "2" = 31 INPUT

**SIGNAL VOLTAGE:**  
 "A" = POSITIVE 6-20VDC, 6-24VAC  
 "B" = POSITIVE 24-48VDC, 24-48VAC  
 "C" = 120VAC  
 "D" = POSITIVE 125VDC  
 "E" = NEGATIVE 6-20VDC  
 "F" = NEGATIVE 24-48VDC  
 "G" = NEGATIVE 125VDC

**SIGNAL FORMAT:**  
 "1" = SINGLE LINE/FLOOR  
 "2" = BINARY  
 "3" = UNITS & TENS  
 "4" = GRAY CODE  
 "5" = INVERTED BINARY  
 "6" = SPECIAL

**DIRECTIONAL INPUTS:**  
 "A" = POSITIVE 6-20VDC, 6-24VAC  
 "B" = POSITIVE 24-48VDC, 24-48VAC  
 "C" = 120VAC  
 "D" = POSITIVE 125VDC  
 "E" = NEGATIVE 6-20VDC  
 "F" = NEGATIVE 24-48VDC  
 "G" = NEGATIVE 125VDC  
 "X" = NO SELECTION

**NUDGE/STROBE VOLTAGE:**  
 "A" = POSITIVE 6-20VDC, 6-24VAC  
 "B" = POSITIVE 24-48VDC, 24-48VAC  
 "C" = 120VAC  
 "D" = POSITIVE 125VDC  
 "E" = NEGATIVE 6-20VDC  
 "F" = NEGATIVE 24-48VDC  
 "G" = NEGATIVE 125VDC  
 "X" = NO SELECTION

**FIRE/SBUTT VOLTAGE:**  
 "A" = POSITIVE 6-20VDC, 6-24VAC  
 "B" = POSITIVE 24-48VDC, 24-48VAC  
 "C" = 120VAC  
 "D" = POSITIVE 125VDC  
 "E" = NEGATIVE 6-20VDC  
 "F" = NEGATIVE 24-48VDC  
 "G" = NEGATIVE 125VDC  
 "X" = NO SELECTION

**CHIME INPUTS:**  
 "1" = SBUTT/NUDGE  
 "2" = SBUTT/STROBE  
 "3" = FIRE/NUDGE  
 "4" = FIRE/STROBE  
 "X" = NO SELECTION

**NOTE:**

1. C.E. #40040001 matching transformer may be purchased for greater distances - consult factory
2. If a special voltage is required, please consult factory.