

TGXXX-XFX ELECTRONIC HANDICAP CHIME/GONG



A . D . A

ELECTRONIC HANDICAP CHIME/GONG

Highly reliable, solid state chime for lanterns. Adjustable volume for varied environments, and ambient noise levels. The audible signal will sound once for up and twice for down.

TYPICAL APPLICATIONS:

- Arrival chime

FEATURES:

- Adjustable volume
- Compact design
- 1 year factory warranty
- 100+ decibels rating
- Conforms to ADAAG 4.10.4
- Fast 3M Scotchmate fastening



C.E. Electronics, Inc.
C.E. Electronics, Ltd.
International Lift Equipment (ILE)

2107 Industrial Drive Bryan, OH 43506
Marlow, Bucks, UK
Highams Park, London, UK

ph: 419.636.6705

ph: +44 (0) 1628 487633
ph: 0208 527 9669

www.ceelectronics.com

www.ceelectronics.co.uk
www.ileweb.com



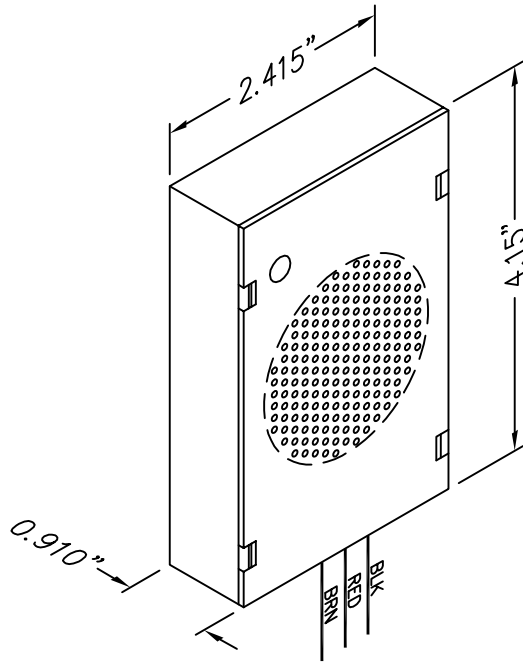


C.E. Electronics, Inc.
 2107 Industrial Drive
 Bryan, OH 43506
 PH (419) 636-6705 FX (419) 636-2516
www.ceelectronics.com

TGXXX-XFX

Ver. 4 Rel. 2/26/2014

A.D.A.



ELECTRONIC HANDICAP CHIME/GONG

Highly reliable, solid state chime for lanterns. Adjustable volume for varied environments, and ambient noise levels. The audible signal will sound once for up and twice for down.

Typical applications:

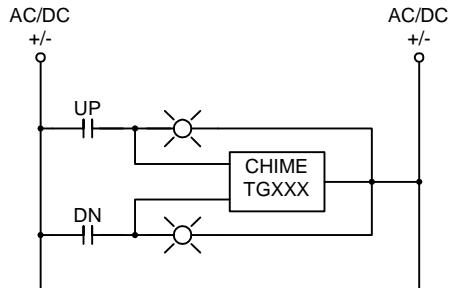
- Arrival chime

Features:

- Adjustable volume
- Compact design
- 1 year factory warranty
- 100+ decibels rating
- Conforms to ADAAG 4.10.4
- Fast 3M Scotchmate fastening

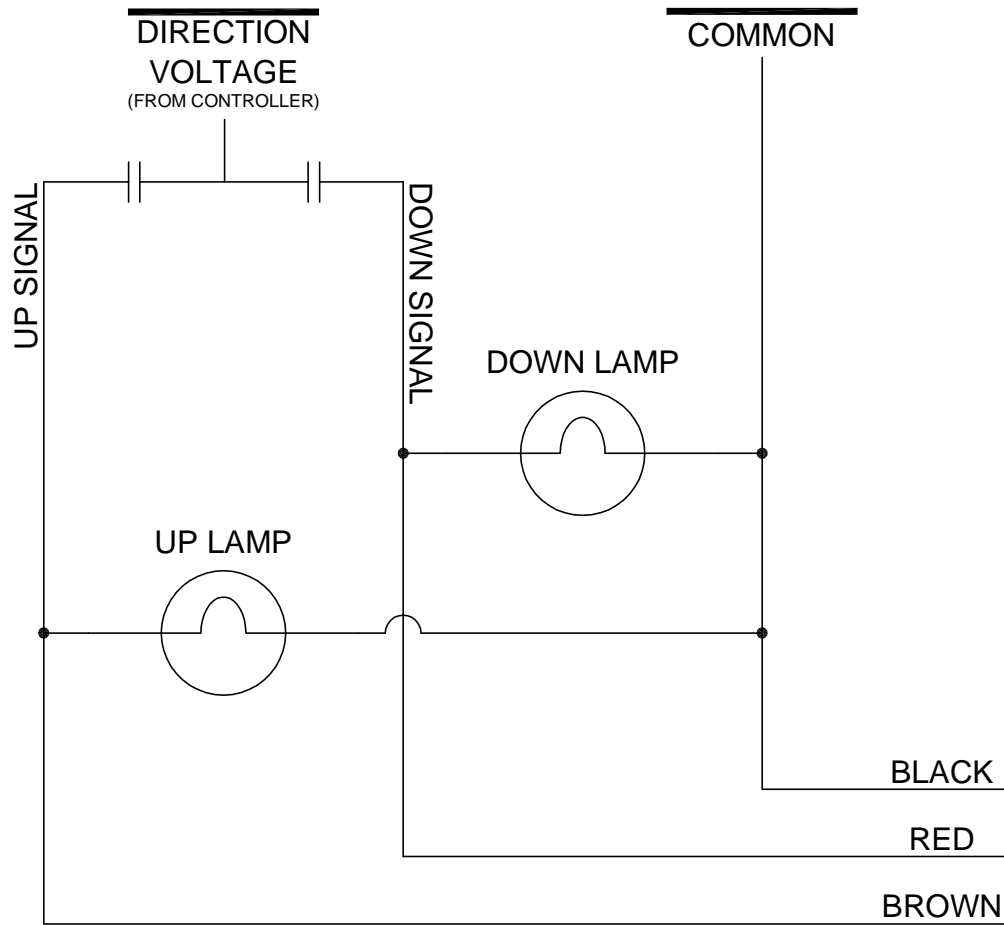
TO ORDER - SPECIFY

TG012-BF1	12VAC/DC + or -
TG012-BFS	12VDC + or - SINGLE STROKE
TG024-BFM	24VDC MICROCOMM LANTERN OUTPUT ONLY

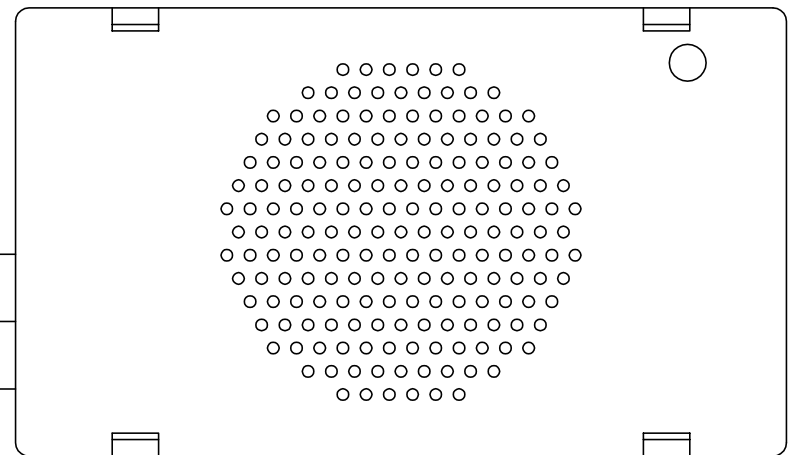



NOTE:

If a special voltage is required, please consult factory.



TGXXX CHIME



DATE DRAWN: 05/01/07	DRAWN BY: DAC	REQUESTED BY: MG	 C.E. ELECTRONICS, INC. 2107 Industrial Drive Bryan, Ohio 43506 (419) 636-6705
BOARD NUMBER: N/A	LAST DATE REVISED: -	APPROVED BY:	
PRODUCT TGXXX CONNECTION DIAGRAM			
DWG. NO. GONG_CONN_01			REV: -