

ENETB-XRCX

ELITE SERIES



ELITE PI

The Elite ENET Bank interface can support up to 8 cars, customer Ethernet interface and a third party RS45 Ethernet streaming video input. The ENET Box communicates with Elite Series in cars via a single twisted shielded pair for transfers and streaming video from the HDINT. The HDINT can be wired into the ENET box easily to support HD to Ethernet for video streaming from a third party source.

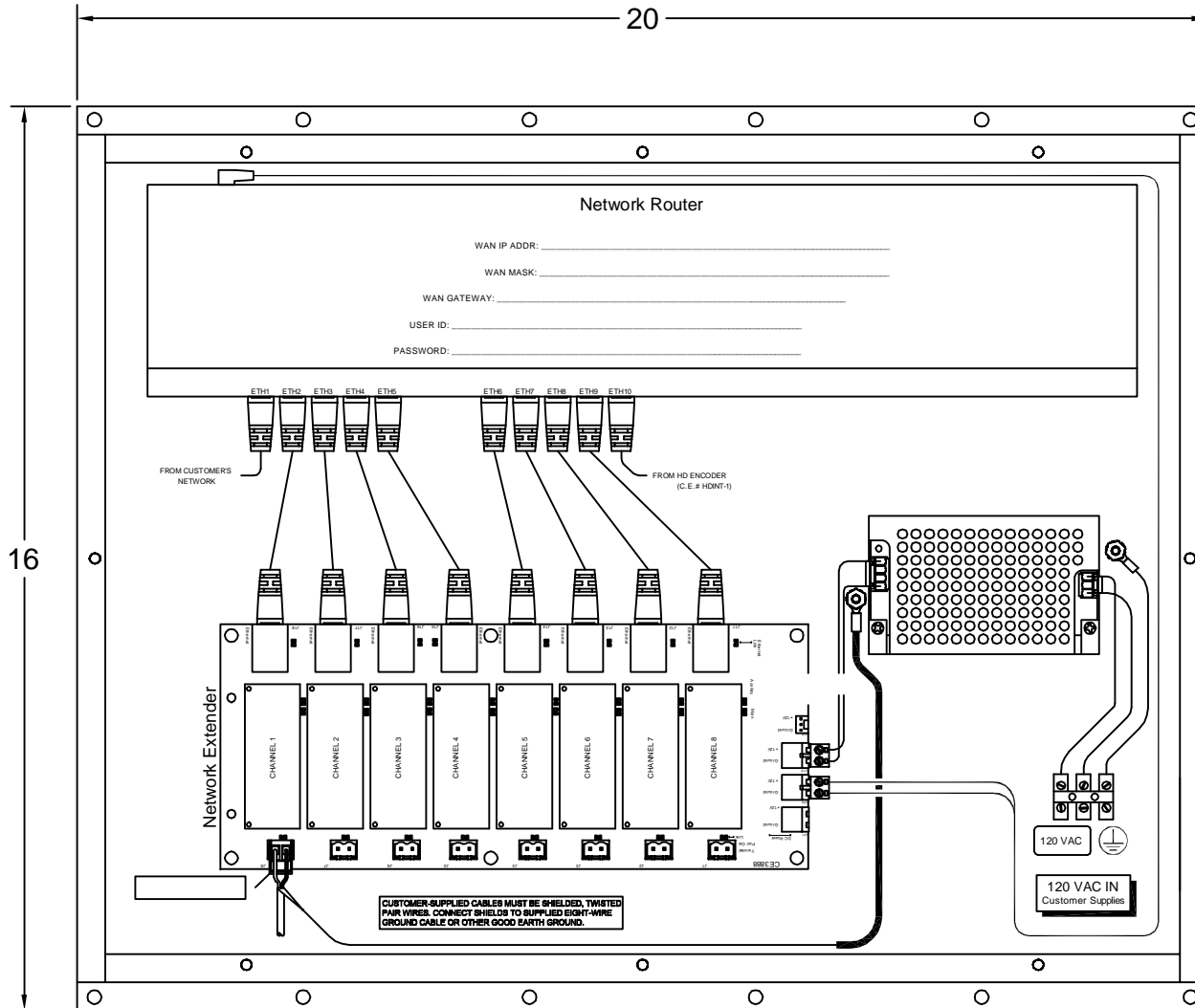
OPTIONAL:

The HDINT can be wired into the ENET box easily to support HD to ethernet for video streaming from a 3rd party source.



C.E. Electronics, Inc. (US) 2107 Industrial Drive, Bryan, Ohio 43506 p: 419.636.6705 www.cееlectronics.com

C.E. Electronics, Ltd. (UK) P.O. Box 1679 Marlow, Bucks SL7 3ZG, UK p: +44 (0) 1628 487633 www.cееlectronics.co.uk



NOTE: UNIT DEPTH; 4-3/4 INCHES

ENETB-XRCX

The Elite ENET Bank interface can support up to 8 cars, customer Ethernet interface and a third party RS45 Ethernet streaming video input. The ENET Box communicates with Elite Series in cars via a single twisted shielded pair for transfers and streaming video from the HDINT. The HDINT can be wired into the ENET box easily to support HD to Ethernet for video streaming from a third party source.

TO ORDER: - ENETB - X R C X

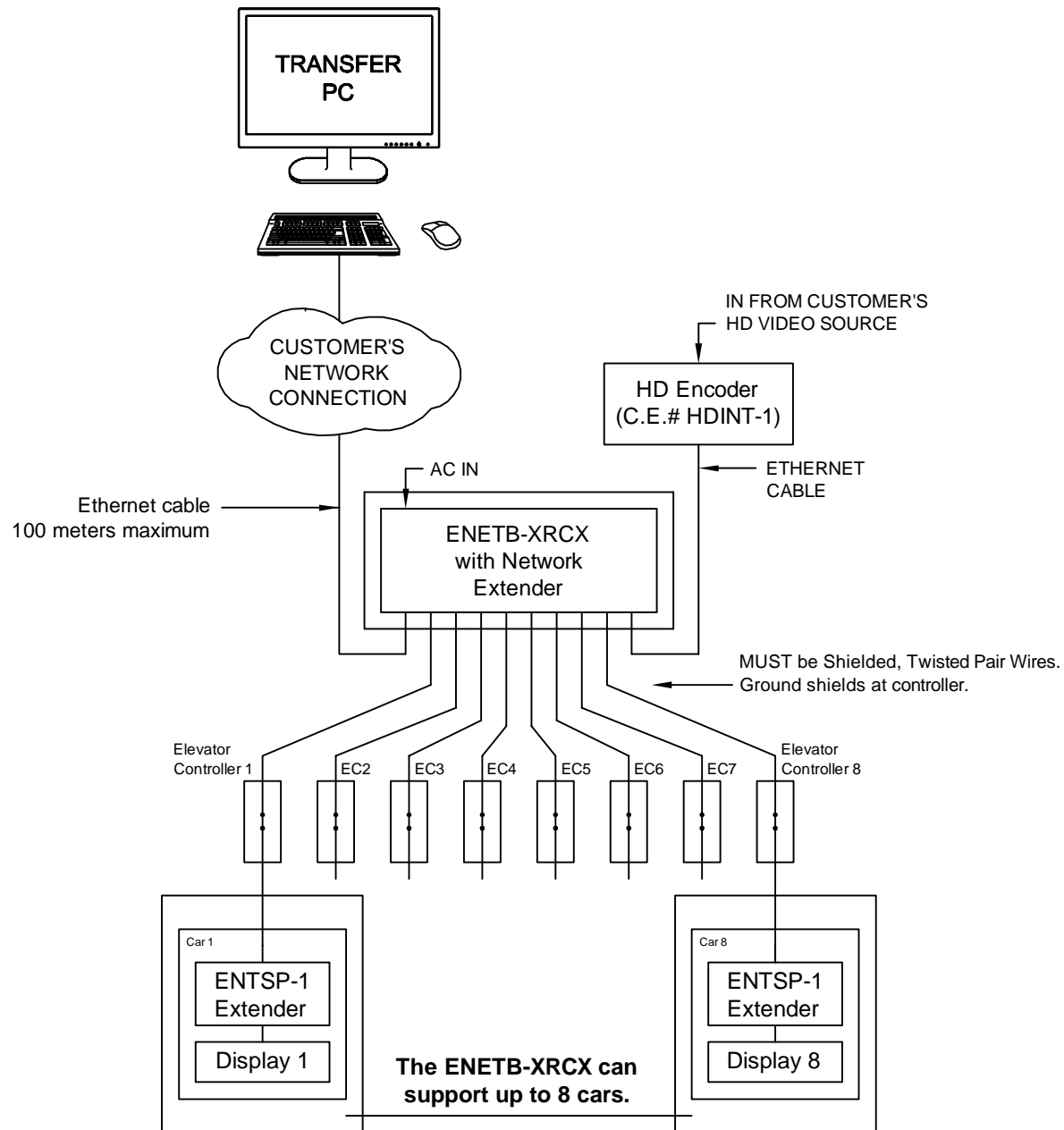
OPTION #4:

- "3" = 3 ETHERNET EXTENDER
- "4" = 4 ETHERNET EXTENDER
- "5" = 5 ETHERNET EXTENDER
- "6" = 6 ETHERNET EXTENDER
- "7" = 7 ETHERNET EXTENDER
- "8" = 8 ETHERNET EXTENDER



ENETB-XRCX

Ver. 5 Rel. 11/21/2019



Network Router

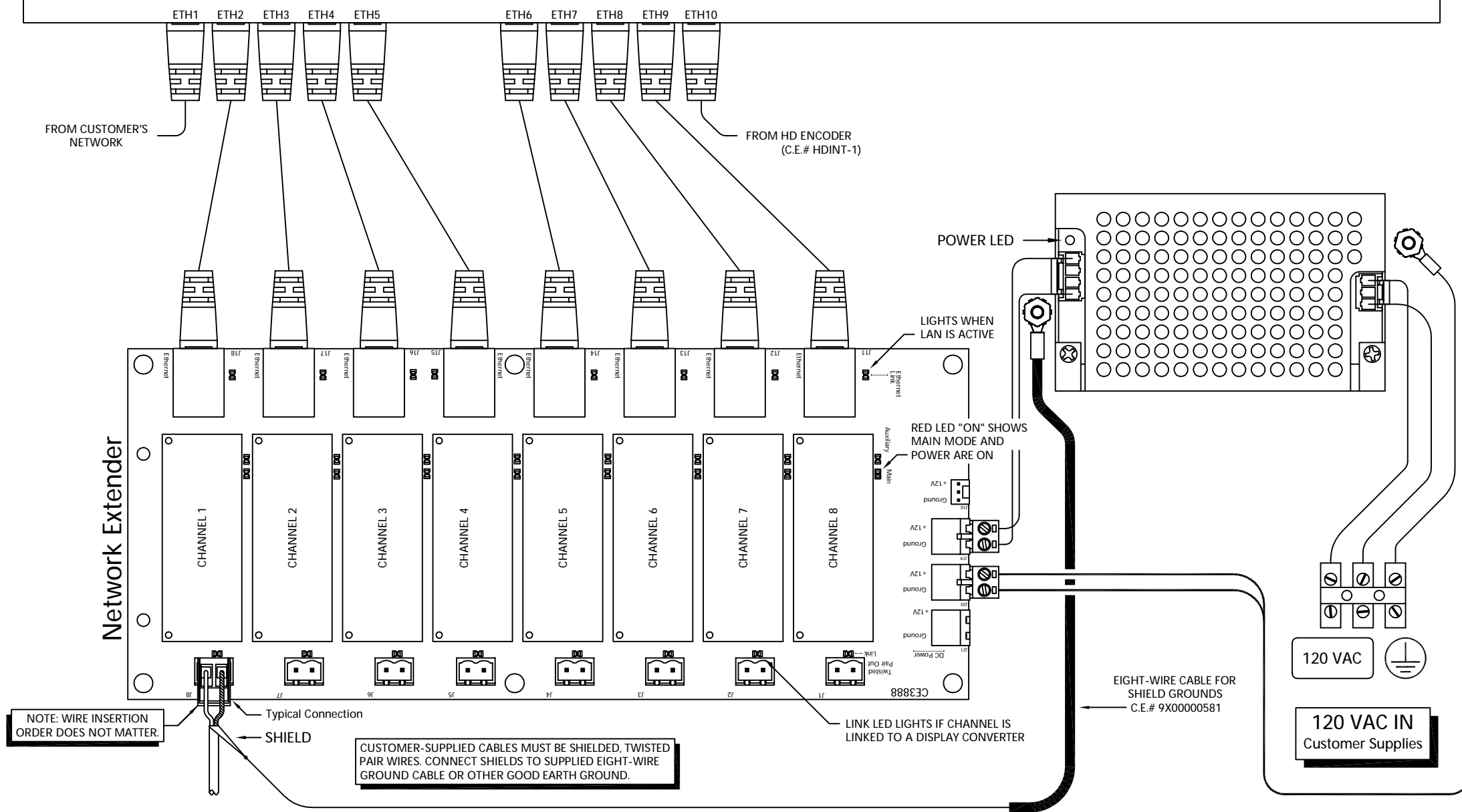
WAN IP ADDR: _____
 WAN MASK: _____
 WAN GATEWAY: _____
 USER ID: _____
 PASSWORD: _____

ENETB-XRCX

LAN - TWP NETWORK BOX

LAN (ETH10) IP ADDR: _____
 LAN IP RANGE: _____
 LAN IP MASK: _____
 FIRMWARE: _____


 CONVERTER MODE: _____
 FIRMWARE: _____



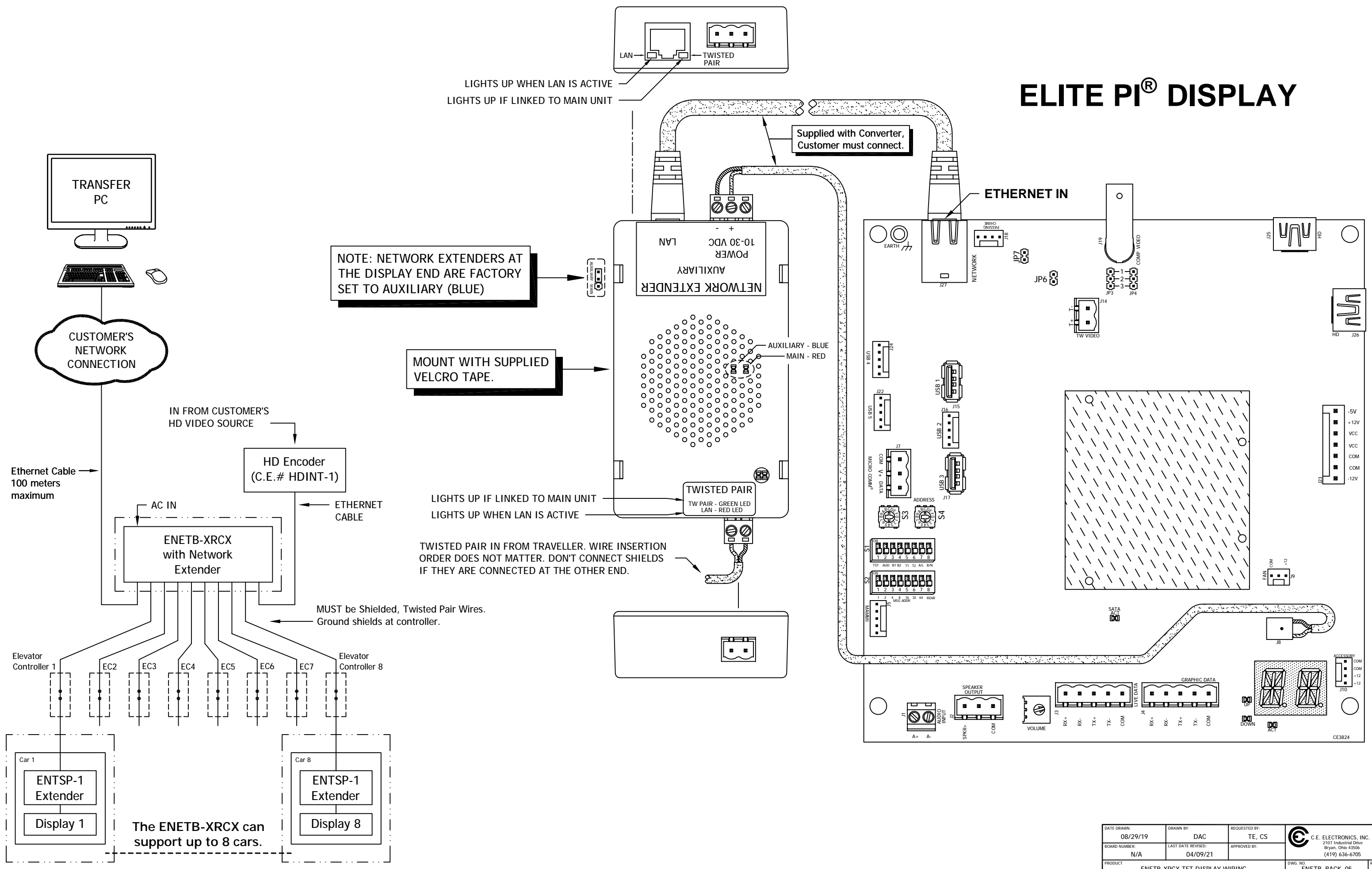
NOTE: WIRE INSERTION ORDER DOES NOT MATTER.

CUSTOMER-SUPPLIED CABLES MUST BE SHIELDED, TWISTED PAIR WIRES. CONNECT SHIELDS TO SUPPLIED EIGHT-WIRE GROUND CABLE OR OTHER GOOD EARTH GROUND.

**SEE ADDITIONAL
INFORMATION ON BACK**

DATE DRAWN: 08/29/19	DRAWN BY: DAC	REQUESTED BY: TE	 C.E. ELECTRONICS, INC. 2107 Industrial Drive Bryan, OH 43506 (419) 636-6705
BOARD NUMBER: 3888	LAST DATE REVISED: 04/09/21	APPROVED BY:	
PRODUCT: ENETB-XRCX 1-8 CHANNEL LAN-TWP NETWORK BOX	DWG. NO.: ENETB_04	REV.:	A

ELITE PI® DISPLAY



DATE DRAWN: 08/29/19	DRAWN BY: DAC	REQUESTED BY: TE, CS	 C.E. ELECTRONICS, INC. 2107 Industrial Drive Bryan, Ohio 43506 (419) 636-6705
BOARD NUMBER: N/A	LAST DATE REVISED: 04/09/21	APPROVED BY:	
PRODUCT: ENETB-XRCX TFT DISPLAY WIRING			
DWG. NO.: ENETB_BACK_05			REV: B