

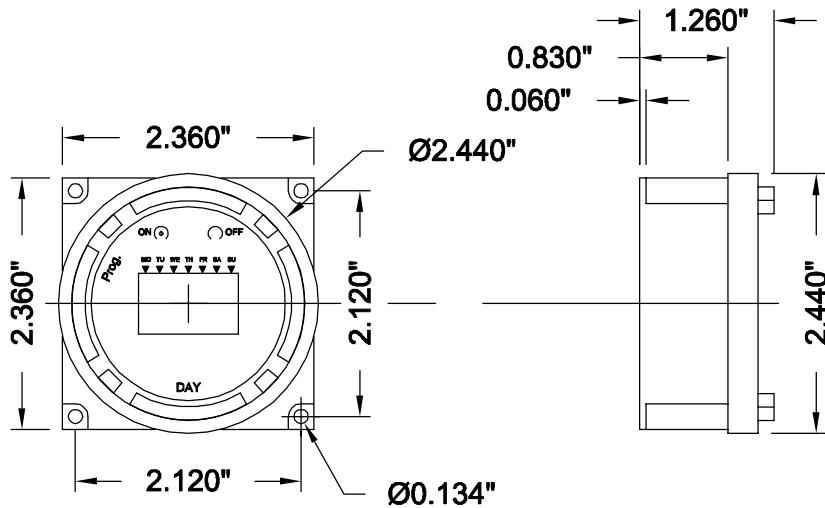


C.E. Electronics, Inc.
 2107 Industrial Drive
 Bryan, OH 43506
 PH (419) 636-6705 FX (419) 636-2516
 www.ceelectronics.com

TIMER-X

Ver. 1 Rel. 06/18/02

SECURITY
 BUTTON INTERFACE

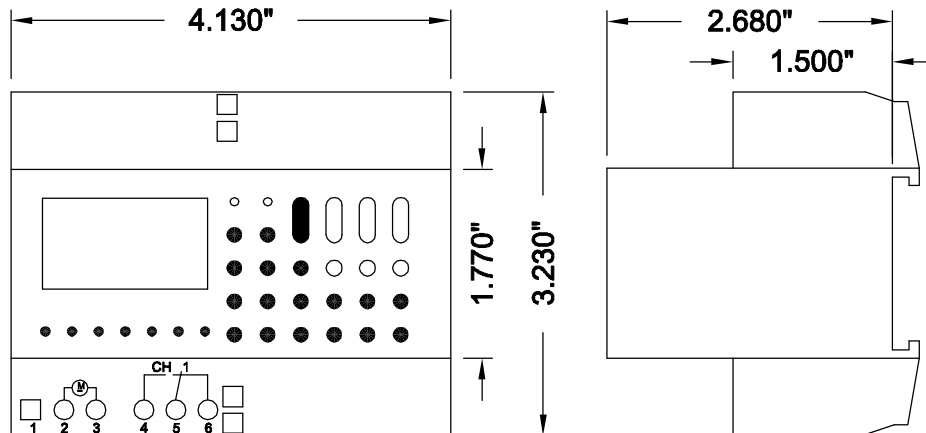


7 DAY TIMER

24 hour or 7 day programming with accuracy to the second. Unique "CIRCULAR PROGRAMMING" with large keys is easier to use. easy programming; sequential programming steps and minimal keys. Selectable blocks of weekdays or weekends for quick programming. Automatically recharged capacitor maintains program as display. Manual override provides for either temporary or continuous on or off state. UL and Canadian UL recognized.

Features

- 20 programs
- Up to 140 events per week
- 24 hour and 7 day programming
- Easy programming
- Capacitor backup with 5 day carryover
- UL approved



365 DAY TIMER

Ideal for schools, banks, government and other public buildings with many holidays. The unit requires reprogramming each year to enter the new holiday dates.

Features

- 322 programs
- 365 day programming
- 1 channel controller
- Auto leap year adjustment
- Auto daylight savings time adjustment
- Battery back up for over 1 week

TO ORDER - SPECIFY TIMER-X
 CHOOSE MODEL # FROM ABOVE:
 "1" = 7 DAY
 "2" = 365 DAY