



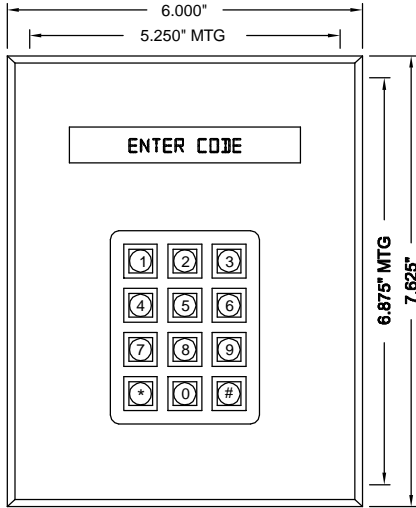
SECXX-DETAIL 1

Ver. 3 Rel. 3/08/10

SECURITY
 BUTTON INTERFACE

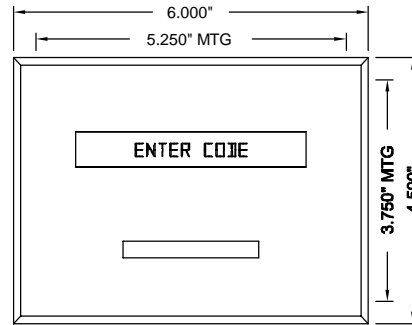
70100013

STANDARD STAINLESS STEEL COVERPLATES



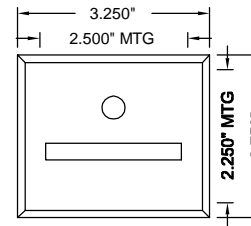
MIN DEPTH: 1.9"

70100014



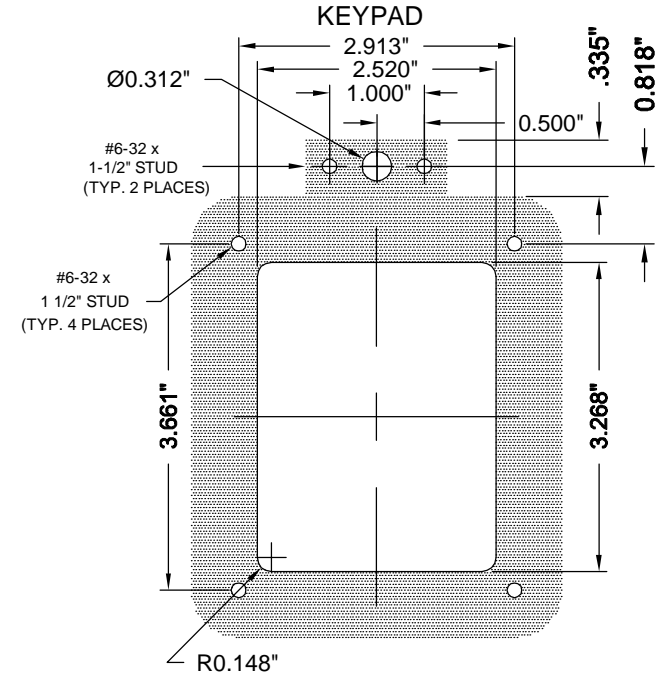
MIN DEPTH: 3.3"

70100015



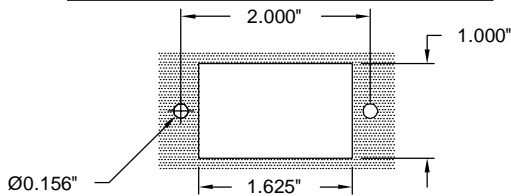
MIN DEPTH: 3.3"

DETAILS FOR FLUSH MOUNTING

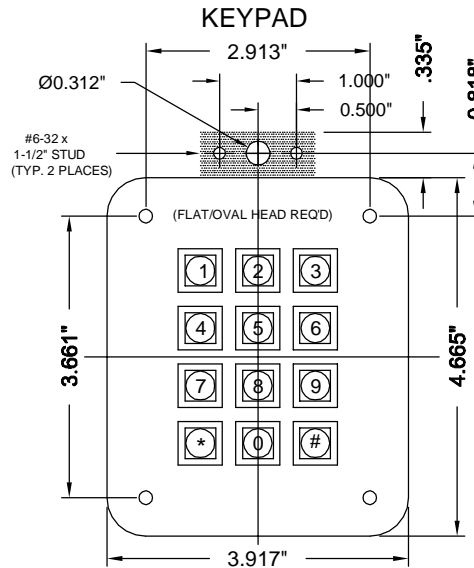


MIN CLEARANCE: 4.0"W x 4.7"H x 1.0"D
 WHEN USED WITH SEC01, DEPTH
 WILL CHANGE FROM 1.0" TO 1.9".

DETAIL FOR ATTENDANT CABLE

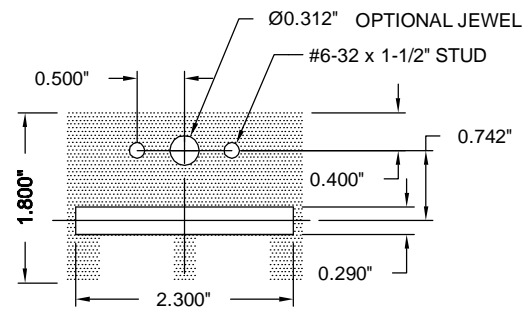


DETAIL FOR SURFACE MOUNTING



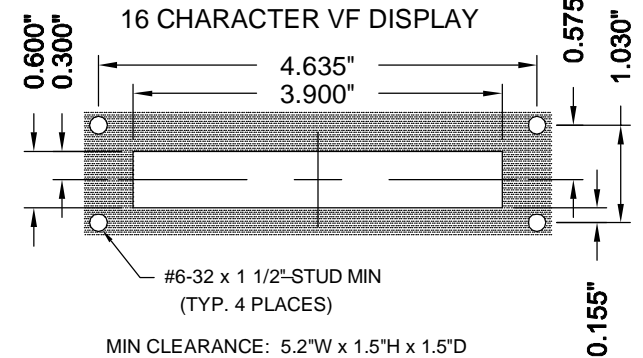
MIN CLEARANCE: 4.0"W x 5.0"H x 1.25"D
 WHEN USED WITH SEC01, DEPTH
 WILL CHANGE FROM 1.25" TO 1.6".

DETAIL FOR CARD READER



MIN CLEARANCE: 2.5"W x 1.8"H x 3.3"D

DETAIL FOR DISPLAY



MIN CLEARANCE: 5.2"W x 1.5"H x 1.5"D