

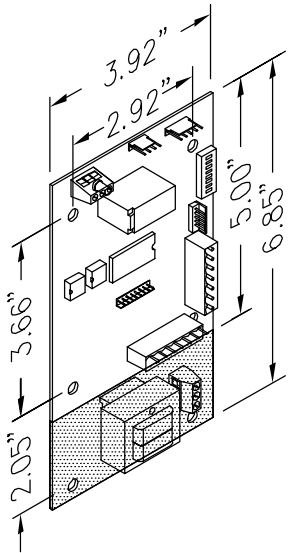


C.E. Electronics, Inc.  
 2107 Industrial Drive  
 Bryan, OH 43506  
 PH (419) 636-6705 FX (419) 636-2516  
 www.ccelectronics.com

# SEC01-XXXX

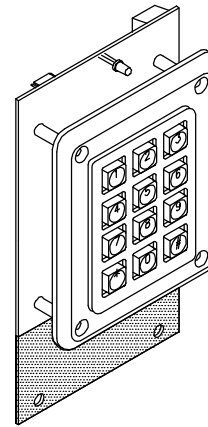
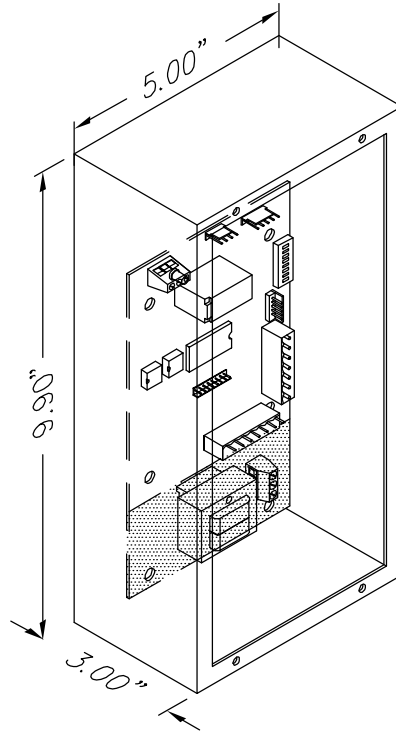
Ver. 1 Rel. 06/18/02

SECURITY  
 BUTTON INTERFACE



MIN. CLEARANCE:  
 REMOTE PWR 4.0"W x 5.0"H x 1.5"D

STAND ALONE 4.0"W x 6.85"H x 2.0"D



MIN. CLEARANCE:  
 REMOTE PWR 4.0"W x 5.0"H x 1.9"D

STAND ALONE 4.0"W x 6.85"H x 2.5"D

## SECURITY ACCESS SYSTEM

Single contact security module - This unit may be used alone to secure access to garages, stairwells or hall call buttons. The RS 485 Port allows you to daisy chain up to 16 multiple units together to make a complete integrated system.

### Features:

- 1 relay contact - secures one landing
- Keypad / card reader
- Field programmable
- RS485 interface
- 6 digit codes with up to 600 users

### TO ORDER - SPECIFY SEC01- X X X X

#### POWER SUPPLY:

- "R" = REMOTE
- "L" = LOCAL (STAND ALONE)

#### INTERFACE/VISUAL FEEDBACK:

- "A" = KEYPAD & LED
- "B" = KEYPAD & DISPLAY
- "C" = CARD READER & LED
- "D" = CARD READER & DISPLAY
- "E" = SWIPE READER & LED
- "F" = SWIPE READER & DISPLAY
- "G" = PROXIMITY READER & LED
- "H" = PROXIMITY READER & DISPLAY

#### MOUNTING:

- "1" = APPLIED METAL w/o BACK BOX
- "2" = APPLIED METAL w/ BACK BOX
- "3" = SURFACE MOUNT w/ REMOTE SEC01
- "4" = SURFACE MOUNT w/ ATTACHED SEC01
- "5" = SURFACE MOUNT w/ KEYPAD ATTACHED to CE2463 (No metal)
- "X" = NO FIXTURE
- "C" = CUSTOM FIXTURE

#### PROGRAM CABLE:

- "C" = HAND HELD ATTENDANT CABLE
- "X" = NO CABLE NEEDED

### NOTE:

1. The stand alone unit does not have a fire service override as it was not designed for car applications.
2. When the SEC01 (remote) is remote powered by a SECPS. The unit has a fire service override (security cutout) input.
3. When used in a multiple location system, see SECPS-XX for power, programming, and wiring specifications.