

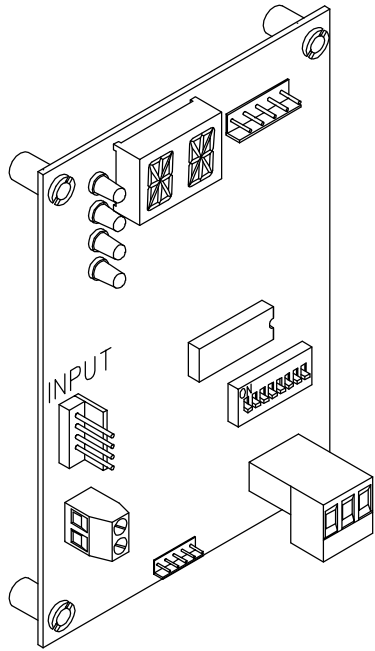


C.E. Electronics, Inc.
 2107 Industrial Drive
 Bryan, OH 43506
 PH (419) 636-6705 FX (419) 636-2516
 www.ceelectronics.com

OCDL-XX

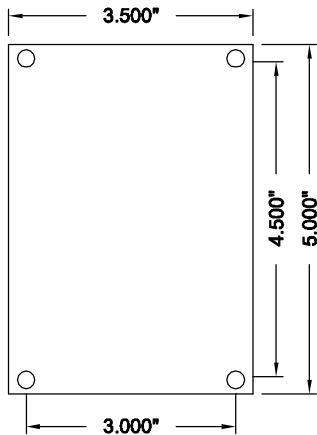
Ver. 3 Rel. 04/18/08

OTIS®
 411 SERIES

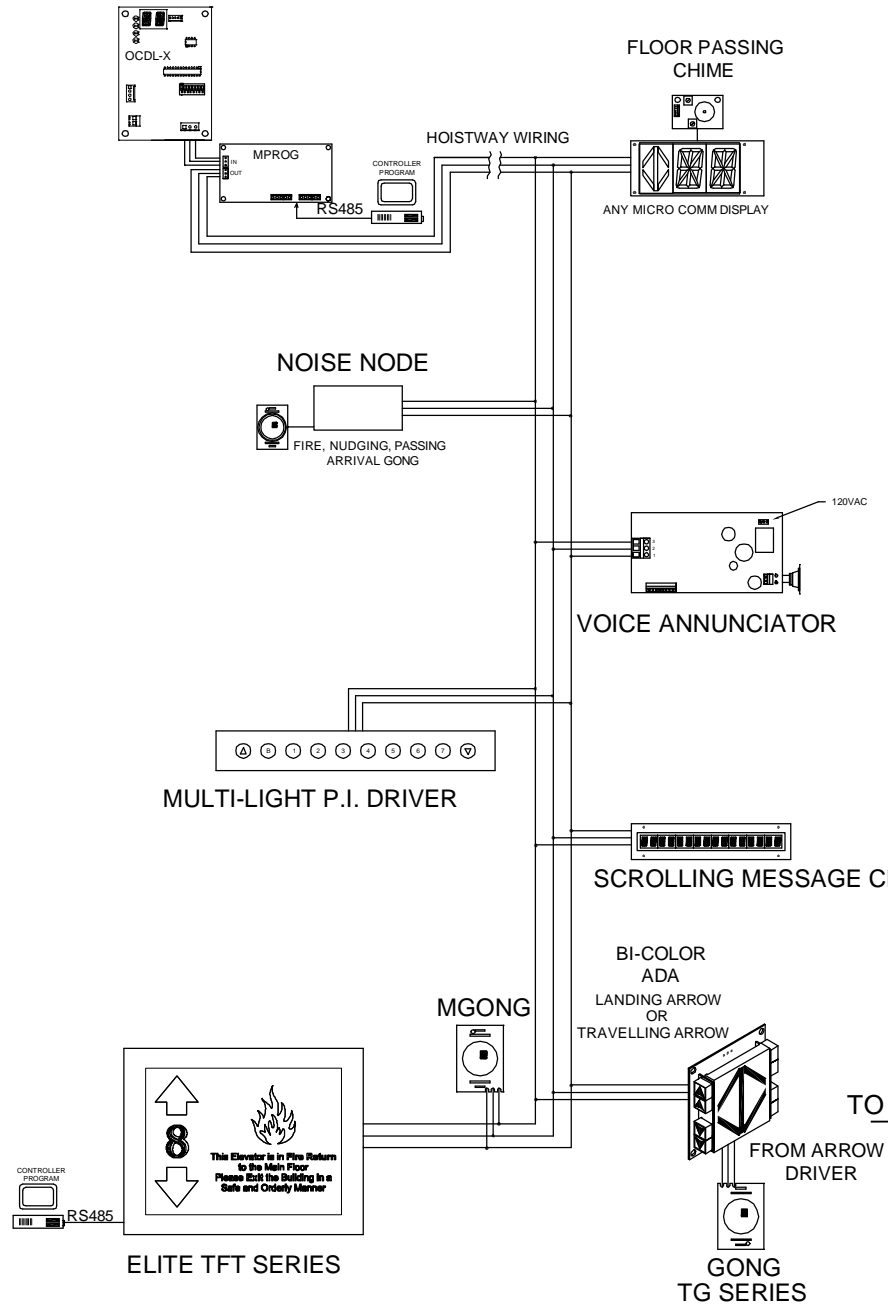


NOTE:

USE WITH OTIS 411 STYLE
 CONTROLLER INTERFACES TO
 THE CAR DATE LINK UNIT WIRES
 LIKE A RS5 CARD.



MINIMUM DEPTH
 REQUIRED: 1.375"

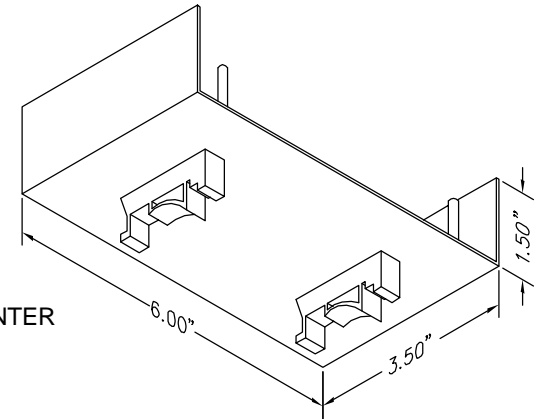


OCDL OTIS INTERFACE CARD

A highly reliable, solid state interface card for Otis controllers. This card allows you to interface almost any Micro Comm display, voice module, and scrolling message module, directly to Otis 411 style controllers.

Features:

- 1 year factory warranty
- Conforms to ADAAG 4.10.4
- Includes gong
- Utilizes Micro Comm Displays
- Works Directly from Otis Controllers



TO ORDER - SPECIFY OCDL - X X

MOUNTING:
 "D" = DINRAIL

EEPROM:
 "X" = NO EPROM
 "1" = EPROM