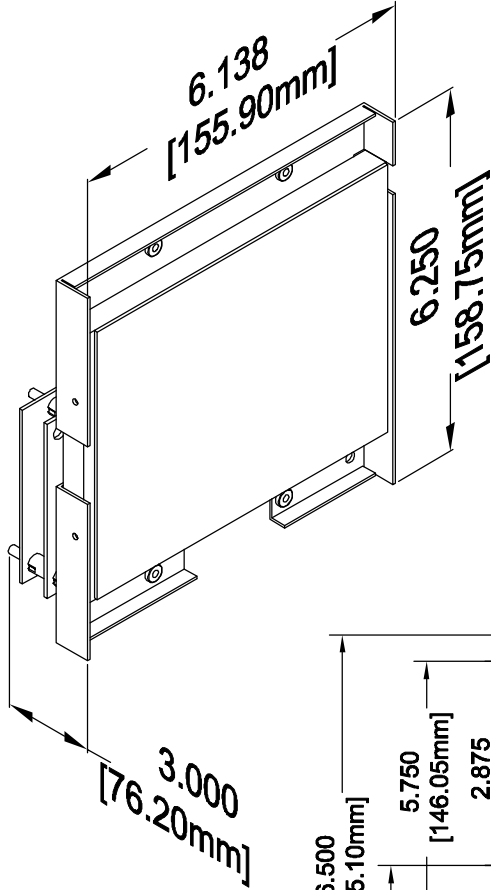




EMN65T-AX

Ver. 3 Rel. 5/29/08

MINI PI™

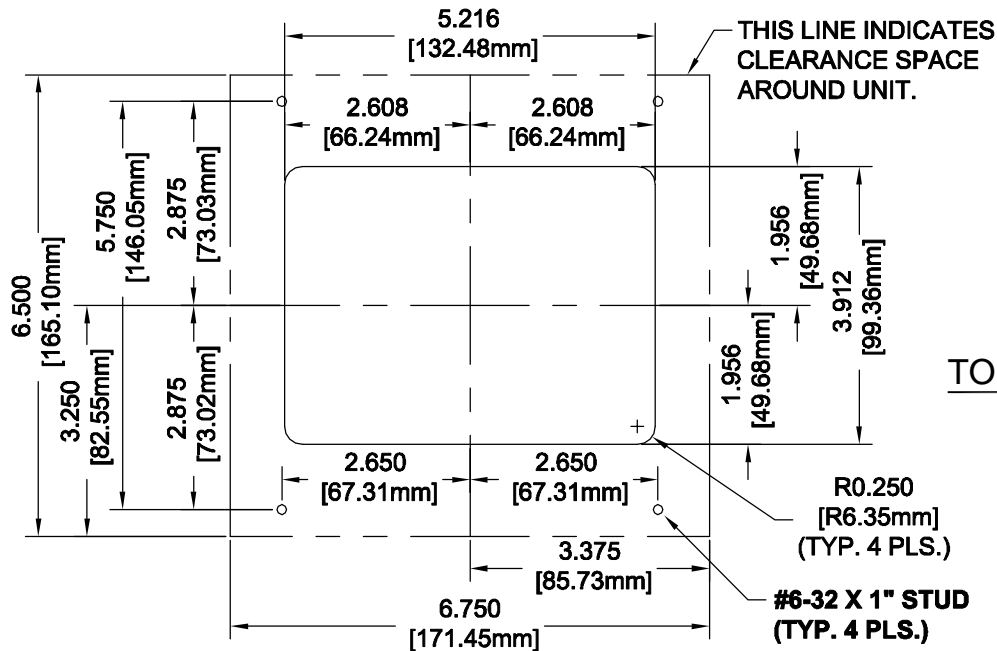


NOTE:
 EDGES OF OPENING
 MUST BE MADE SAFE
 FOR HUMAN TOUCH

6.5" Touch Screen

This touch screen is a flexible input which can be customized for any building or corporation. This customization can reflect architectural elements, color schemes, and corporate identity. Within this customization, information can be presented to passengers regarding floor input selection or handicap mode with a bank directory. Because of memory constraints screens and WAV files have limitations.

PANEL PREP



Typical Applications

- Lobby & Floor Inputs
- Security

Features:

- Low cost
- Low profile
- Voice capable (WAV 16KHZ mono)
- 256 Color
- Audio / Image limited to shared 25 MB
- 80 x 80 x 70 x 60 viewing angle

TO ORDER: - EMN65T - A X

"C" = Factory Select
 "M" = Factory Select
 "O" = Factory Select
 "T" = Factory Select

RELATED DRAWINGS	
DESCRIPTION	DRAWING NAME
PANEL PREP.	PP65-1
DETAIL DIM.	DD65-1