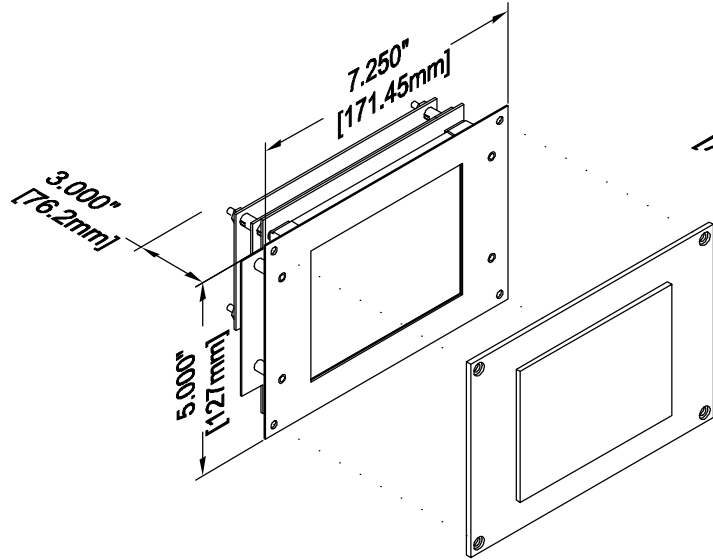




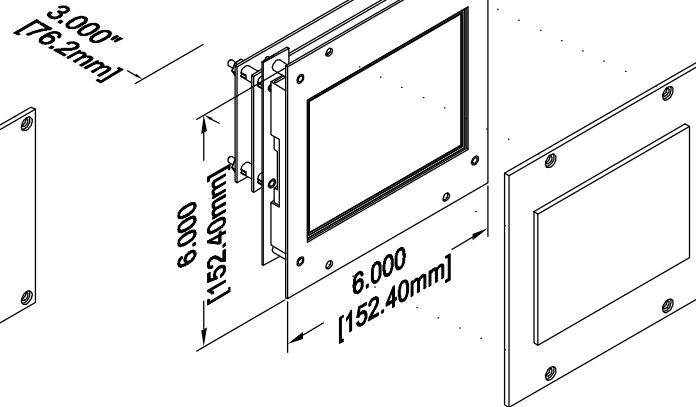
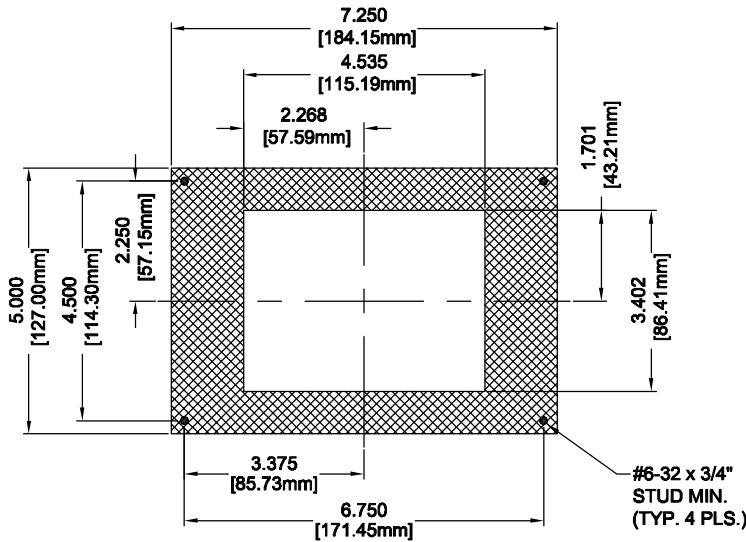
# EMN57-AMX

Ver. 8 Rel. 12/08/09

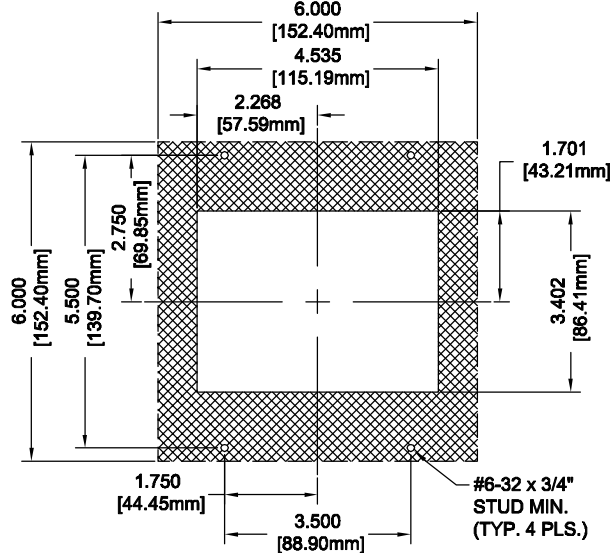
MINI PI™



**HORIZONTAL**  
 PANEL PREP  
 AS VIEWED FROM FRONT



**VERTICAL**  
 PANEL PREP  
 AS VIEWED FROM FRONT



## 5.7" Mini

The Mini PI is a flexible position indicator which can be customized for any building or corporation. This customization can reflect architectural elements, color schemes, and corporate identity. Within this customization, information can be presented to passengers regarding the elevator's current position and direction, arrival arrows along with priority messages from the controller. It's also designed to be a destination type display showing floors served when in destination mode. These units also have a non-movement blanking to help preserve backlight life.

### Typical Applications

- Car operating panel
- Car transom
- Lobby / arrival arrows
- Destination Display
- Message

### Features:

- Passing chime output
- Self testing
- Low profile
- Destination Display
- Backlight saver function / default on

**TO ORDER: - EMN57 - AMX**

"H" = HORIZONTAL  
 "V" = VERTICAL

### HORIZONTAL

EMN57-AMH RELATED DRAWINGS	
DESCRIPTION	DRAWING NAME
PANEL PREP.	PP57-1
DETAIL DIM.	DD57-1

### VERTICAL

EMN57-AMV RELATED DRAWINGS	
DESCRIPTION	DRAWING NAME
PANEL PREP.	PP57-2
DETAIL DIM.	DD57-2

### NOTE:

Standard lens: add .125".  
 Depth includes room for reasonable wiring space.