



C.E. Electronics, Inc.
 2107 Industrial Drive
 Bryan, OH 43506
 PH (419) 636-6705 FX (419) 636-2516
 www.ceelectronics.com

SLC16-XXX

Ver. 4 Rel. 05/28/2010

MICRO COMM[®]

MICRO COMM LAMP DRIVER

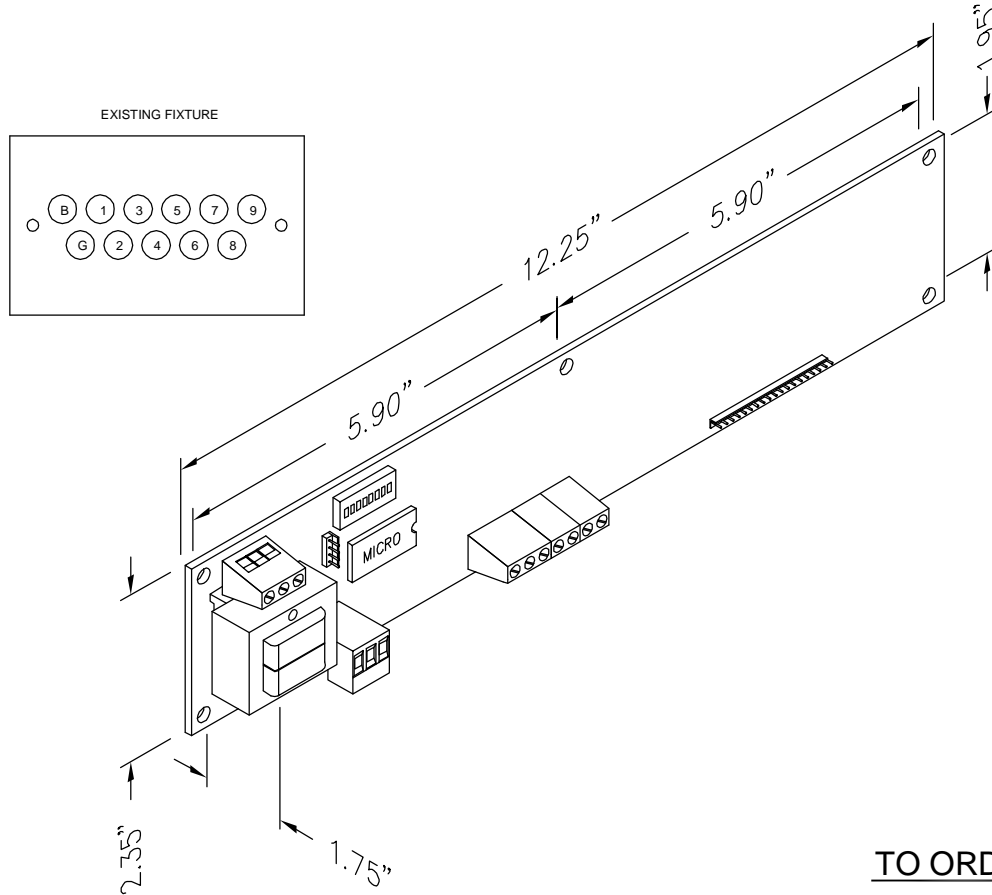
This unit can be used to convert Micro Comm input signals to 16 discrete outputs. By adding additional boards. Micro Comm can convert 3 wires to up to 64 outputs. This unit can be built to drive AC or DC outputs.

Typical Applications:

- Multi-light driver
- Lobby status panels

Features:

- Compact design
- Simple hookup
- 1 year factory warranty
- Micro Comm input
- Passing chime output
- AC: 1 amp 120 VAC
- DC: 50 mA 24-70 VDC
- DC: 250 mA 24-30 VDC



TO ORDER: - SPECIFY SLC16 - X X X

SIGNAL VOLTAGE:

- "A" = POSITIVE 6-20VAC/DC, 24VAC
- "B" = POSITIVE 24-48VDC, 48VAC
- "C" = POSITIVE 120VAC
- "D" = POSITIVE 125VDC
- "E" = NEGATIVE 6-20VDC
- "F" = NEGATIVE 24-48VDC
- "G" = NEGATIVE 125VDC
- "M" = MICRO COMM

- "X" = AC
- "D" = 24-70V DC 50mA
- "E" = 24-30V DC 250mA

SIGNAL FORMAT:

- "1" = SINGLE LINE/FLOOR
- "2" = BINARY
- "3" = UNITS & TENS
- "4" = GRAY CODE
- "5" = INVERTED BINARY
- "6" = SPECIAL
- "X" = MICRO COMM