

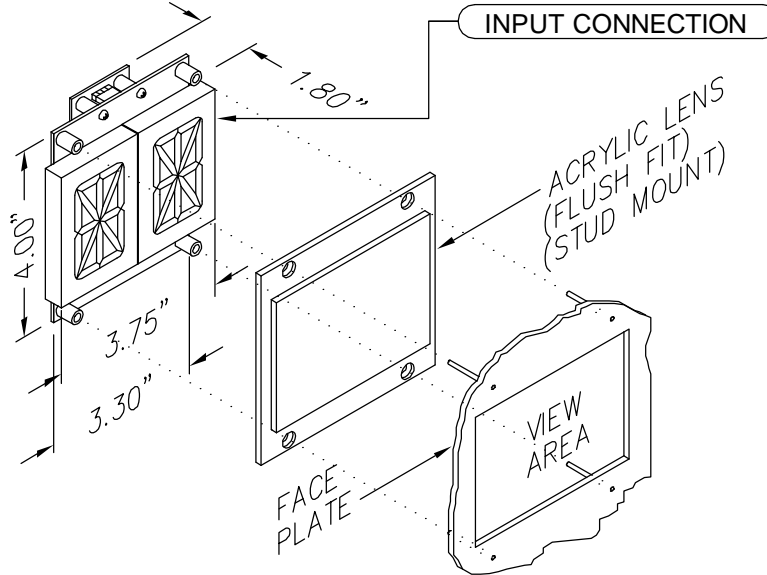
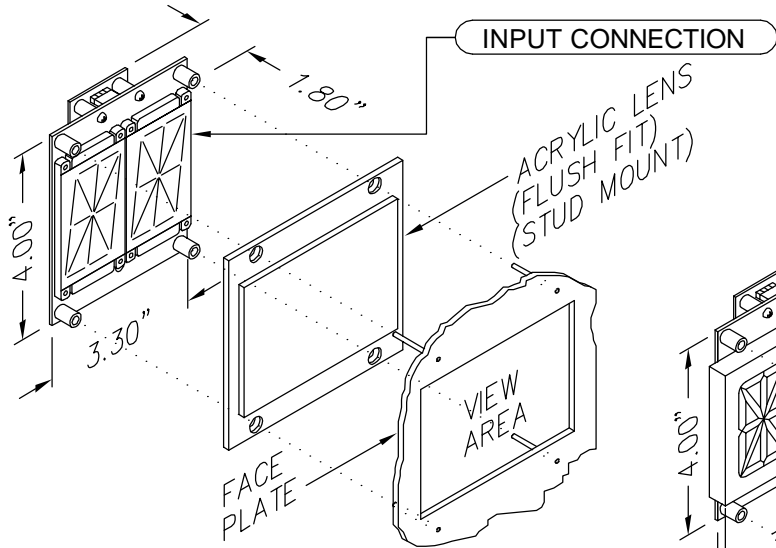


C.E. Electronics, Inc.
 2107 Industrial Drive
 Bryan, OH 43506
 PH (419) 636-6705 FX (419) 636-2516
 www.ceelectronics.com

MV22X-XX

Ver. 5 Rel. 02/11/2011

MICRO COMM[®]
 DISPLAYS



REMOTE DISPLAY INDICATOR "RDI"

Segmented LED, digital indicator for floor position display, as well as car direction. Any alphanumeric character can be displayed in either single or double digit floor designations.

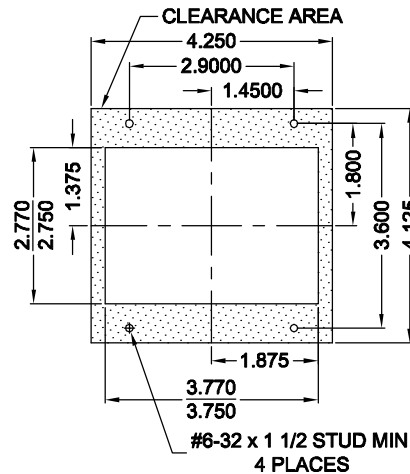
Typical Applications:

- Hall stations
- Lobby and security panels

Features:

- Fast, 3-wire hookup
- Latched inputs
- Cross wire protected
- Self testing
- Alternate message
- Passing chime output
- Error detection and correction feature

PANEL PREPARATION



RENEWAL PARTS

- Lens: 104-5592 RED
- Lens: 104-6092 GRAY
- Lens: 104-9092 BLUE

TO ORDER: - SPECIFY MV22X - X X

STYLE:

- "0" = 2.0" CHARACTERS (RED ONLY)
- "2" = 2.2" CHARACTERS

COLOR:

- "R" = RED (2.0" OR 2.2")
- "G" = GREEN (2.2" ONLY)
- "B" = BLUE (2.2" ONLY)

LENS:

- "R" = RED
- "G" = GRAY
- "B" = BLUE (2.2" ONLY)
- "X" = NO LENS

NOTE:

1. This is not a stand alone unit. Must be used in conjunction with a Micro Comm interface.