

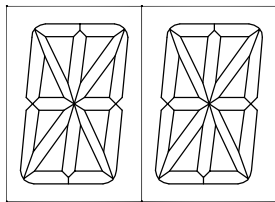
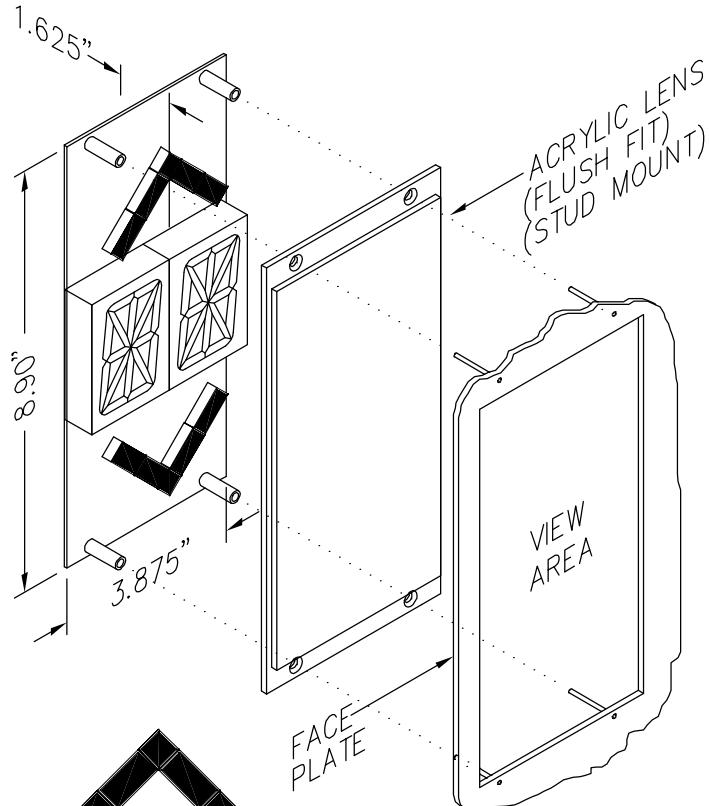


C.E. Electronics, Inc.  
 2107 Industrial Drive  
 Bryan, OH 43506  
 PH (419) 636-6705 FX (419) 636-2516  
 www.ceelectronics.com

# MV22S-XX

Ver. 4 Rel. 04/28/10

MICRO COMM<sup>®</sup>  
 DISPLAYS



2.2" CHARACTERS

NOTE:

1. This is not a stand alone unit. Must be used in conjunction with a Micro Comm interface.

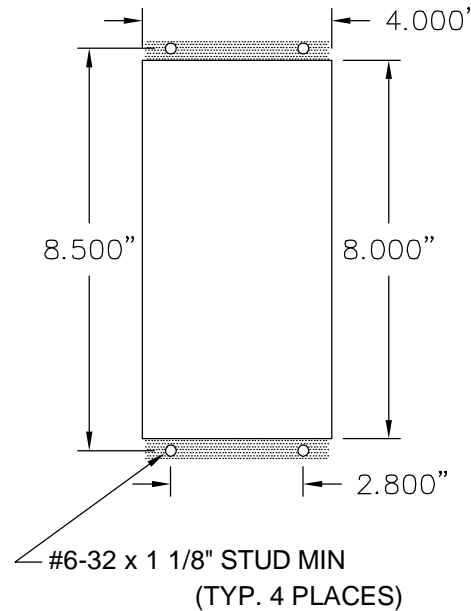
## REMOTE DISPLAY INDICATOR "RDI"

Segmented LED, digital indicator for floor position display, as well as car direction. Any alphanumeric character can be displayed in either single or double digit floor designations.

## SPECIAL ORDER

4 WEEK LEAD TIME MAY APPLY.

### PANEL PREPARATION



CUTOUT TOLERANCE: +.020  
 - 0.0

### Typical Applications:

- Car-OP Panel
- Transom-car or Hall
- Deep surface mount fixtures

### Features:

- Fast, 3-wire hookup
- Latched inputs
- Cross wire protected
- Self testing
- Alternate message
- Passing chime output
- Error detection and correction feature

### RENEWAL PARTS

Lens: 104-5650 RED  
 Lens: 104-6101 GRAY

### TO ORDER - SPECIFY MV22S - X X

\*COLOR:

"R" = RED

"G" = GREEN

"B" = BLUE (DIGITS ONLY)

LENS:

"R" = RED

"G" = GRAY

"X" = NO LENS

\* Arrows supplied  
 in RED.