

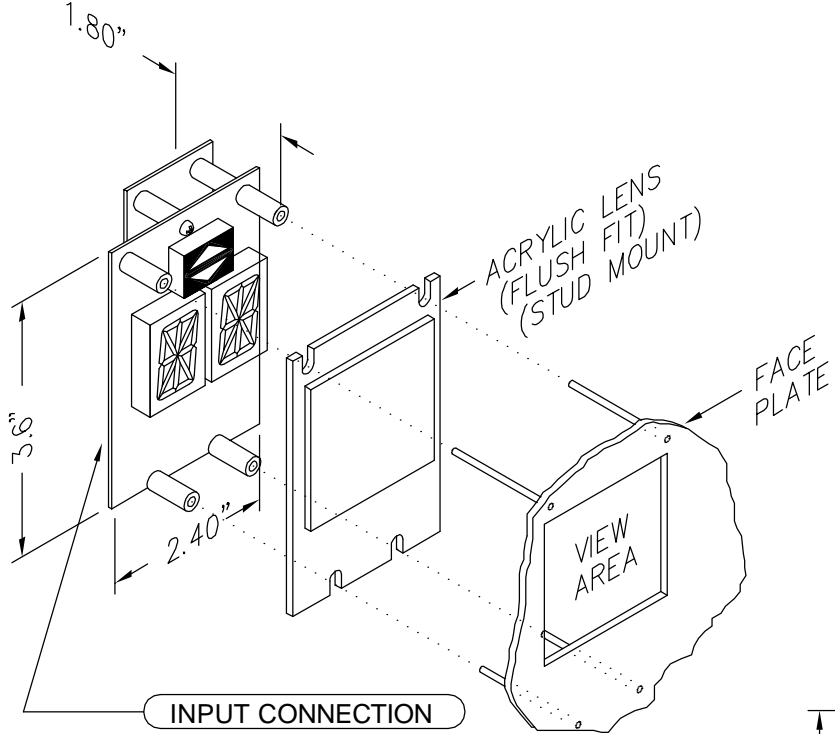


C.E. Electronics, Inc.
 2107 Industrial Drive
 Bryan, OH 43506
 PH (419) 636-6705 FX (419) 636-2516
 www.ccelectronics.com

MV210-XX

Ver. 3 Rel. 10/16/09

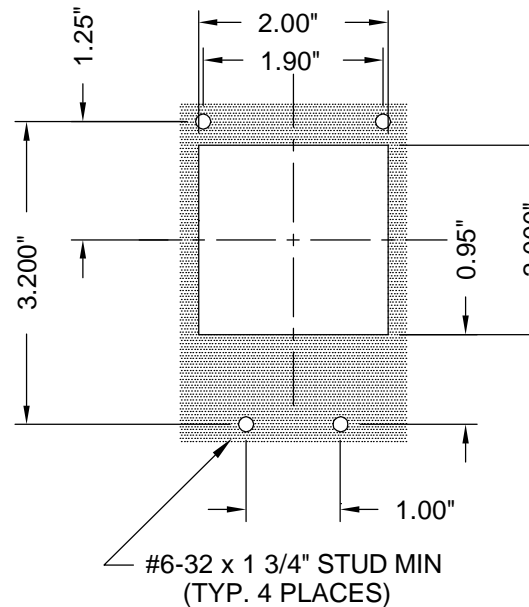
MICRO COMM[®]
 DISPLAYS



RENEWAL PARTS

Lens: 104-0503 RED
 Lens: 104-6014 GRAY

PANEL PREPARATION



CUTOUT TOLERANCE: +.020
 - 0.0

REMOTE DISPLAY INDICATOR "RDI"

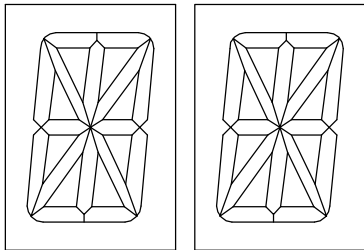
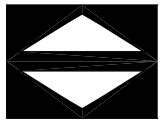
Segmented LED, digital indicator for floor position display, as well as car direction. Any alphanumeric character can be displayed in either single or double digit floor designations.

Typical Applications

- Hall stations
- Lobby and security panels

Features

- Fast, 3-wire hookup
- Latched inputs
- Cross wire protected
- Self testing
- Alternate message
- Passing chime output
- Error detection and correction feature



1" CHARACTER

TO ORDER - SPECIFY MV210 - X X

*COLOR:
 "R" = RED
 "A" = AMBER
 "G" = GREEN
 "B" = BLUE

LENS:
 "R" = RED
 "G" = GRAY
 "X" = NO LENS

* Arrows supplied in RED.

NOTE:

1. This is not a stand alone unit. Must be used in conjunction with a Micro Comm interface.