

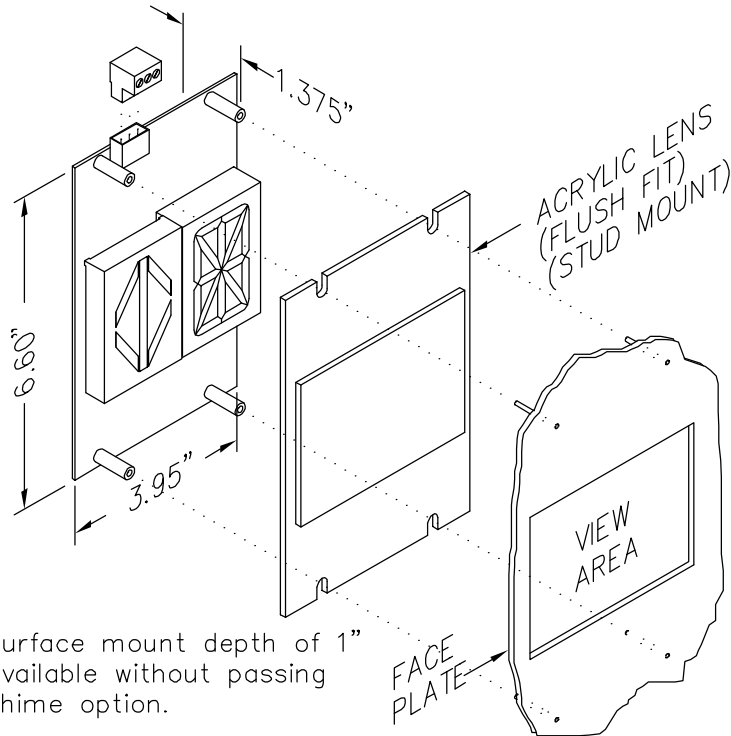


C.E. Electronics, Inc.
 2107 Industrial Drive
 Bryan, OH 43506
 PH (419) 636-6705 FX (419) 636-2516
 www.cseelectronics.com

MV122A-XXX

Ver. 4 Rel. 04/21/10

MICRO COMM[®]
 DISPLAYS

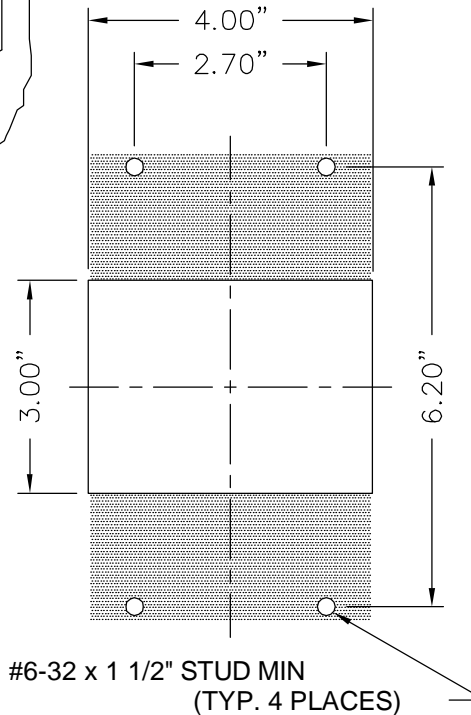


*Surface mount depth of 1" available without passing chime option.

RENEWAL PARTS

- Lens: 104-3012 RED
- Lens: 104-6040 GRAY
- Lens: 104-9040 BLUE

PANEL PREPARATION



CUTOUT TOLERANCE: +.020
 - 0.0

REMOTE DISPLAY INDICATOR "RDI"

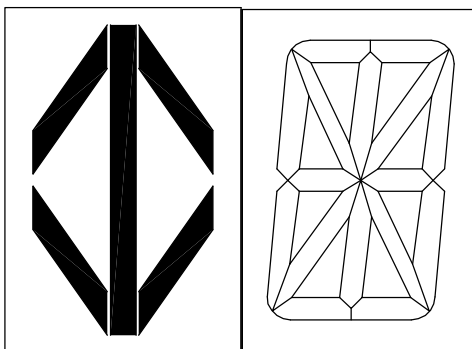
Segmented LED, digital indicator for floor position display, as well as car direction. Any alphanumeric character can be displayed.

Typical Applications

- Car-OP Panel
- Transom-car or Hall
- Surface mount fixtures

Features

- Ultra-thin package
- Fast, 3-wire hookup
- Latched inputs
- Cross wire protected
- Self testing
- Alternate message
- Passing chime output
- Error detection and correction feature



2.2" CHARACTER
 2.5" ARROW

TO ORDER - SPECIFY MV122A - XXX

COLOR:

- "RR" = RED CHARACTER, RED ARROW
- "GR" = GREEN CHARACTER, RED ARROW
- "GG" = GREEN CHARACTER, GREEN ARROW
- "RG" = RED CHARACTER, GREEN ARROW
- "BB" = BLUE CHARACTER, BLUE ARROW

LENS:

- "R" = RED
- "G" = GRAY
- "B" = BLUE
- "X" = NO LENS

NOTE:

1. This is not a stand alone unit. Must be used in conjunction with a Micro Comm interface..