

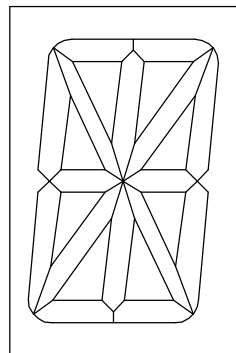
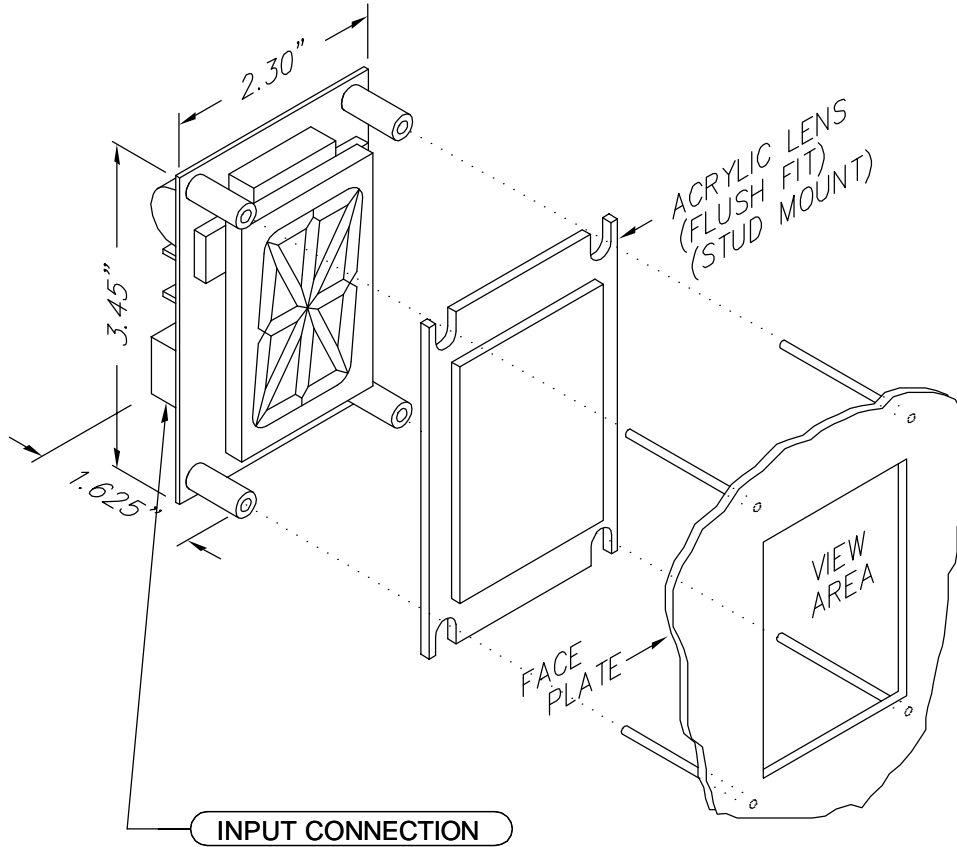


C.E. Electronics, Inc.  
 2107 Industrial Drive  
 Bryan, OH 43506  
 PH (419) 636-6705 FX (419) 636-2516  
 www.ceelectronics.com

# MV122-XX

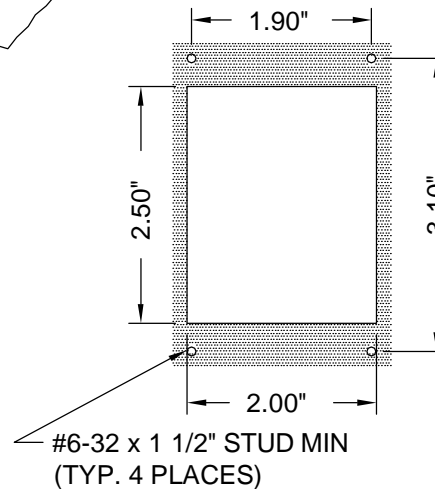
Ver. 4 Rel. 04/22/10

MICRO COMM<sup>®</sup>  
 DISPLAYS



2.2" CHARACTER

### PANEL PREPARATION



CUTOUT TOLERANCE: +.020

- 0.0

### REMOTE DISPLAY INDICATOR "RDI"

Segmented LED, digital indicator for floor position display, as well as car direction. Any alphanumeric character can be displayed.

#### Typical Applications:

- Hall stations
- Lobby and security panels

#### Features:

- Compact packaging
- Fast, 3-wire hookup
- Latched inputs
- Cross wire protected
- Self testing
- Alternate message
- Passing chime output
- Error detection and correction feature

### RENEWAL PARTS

- Lens: 104-5604 RED
- Lens: 104-6004 GRAY
- Lens: 104-9004 BLUE

### TO ORDER - SPECIFY MV122 - X X

COLOR:  
 "R" = RED  
 "G" = GREEN  
 "B" = BLUE

LENS:  
 "R" = RED  
 "G" = GRAY  
 "B" = BLUE  
 "X" = NO LENS

#### NOTE:

1. This is not a stand alone unit. Must be used in conjunction with a Micro Comm interface.