

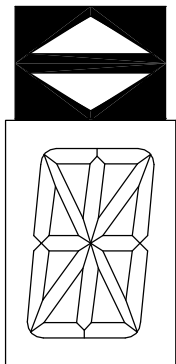
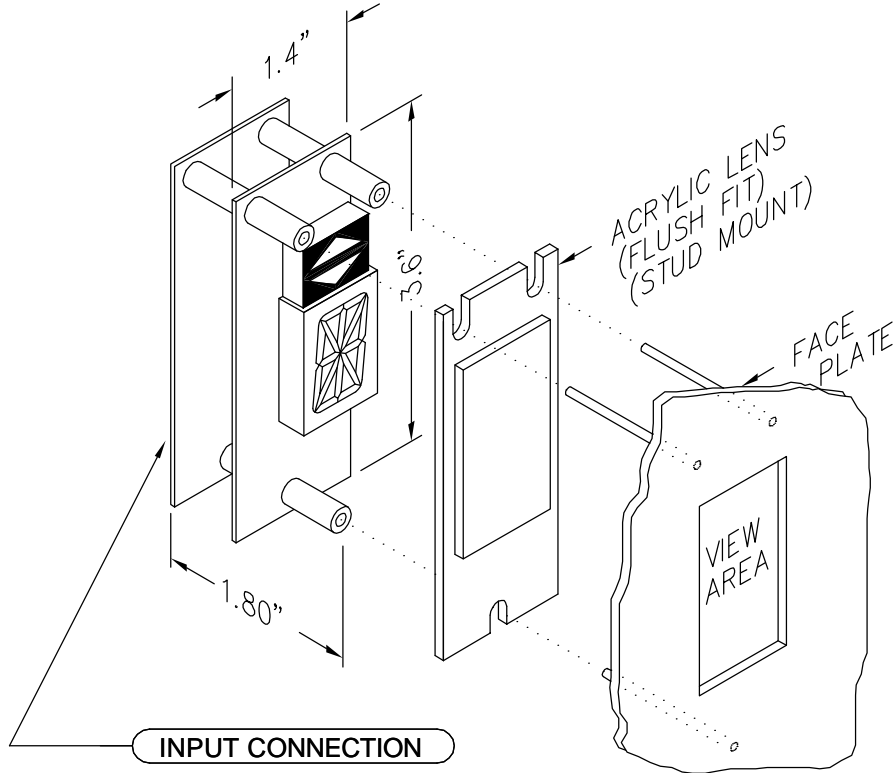


C.E. Electronics, Inc.  
 2107 Industrial Drive  
 Bryan, OH 43506  
 PH (419) 636-6705 FX (419) 636-2516  
 www.ceelectronics.com

# MV110-XX

Ver. 2 Rel. 11/26/08

MICRO COMM<sup>®</sup>  
 DISPLAYS

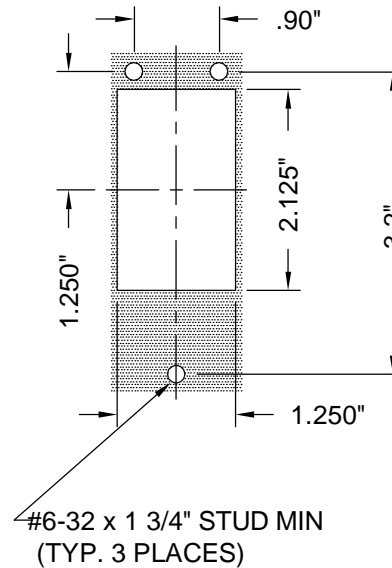


1" CHARACTER

**RENEWAL PARTS**

- Lens: 104-5610 RED
- Lens: 104-6010 GRAY

**PANEL PREPARATION**



#6-32 x 1 3/4" STUD MIN  
 (TYP. 3 PLACES)

CUTOUT TOLERANCE: +.020  
 - 0.0

**REMOTE DISPLAY INDICATOR "RDI"**

Segmented LED, digital indicator for floor position display. Any alphanumeric character can be displayed.

Typical Applications

- Hall stations
- Lobby and security panels

Features

- Fast, 3-wire hookup
- Latched inputs
- Cross wire protected
- Self testing
- Alternate message
- Passing chime output
- Error detection and correction feature

TO ORDER - SPECIFY MV110 - X X

\*COLOR:  
 "R" = RED  
 "A" = AMBER  
 "G" = GREEN

LENS:  
 "R" = RED  
 "G" = GRAY  
 "X" = NO LENS

\* Arrows supplied in RED.

**NOTE:**

1. This is not a stand alone unit. Must be used in conjunction with a Micro Comm interface.