

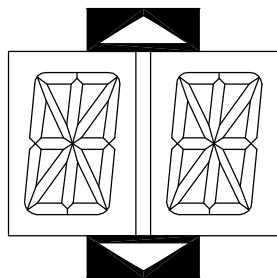
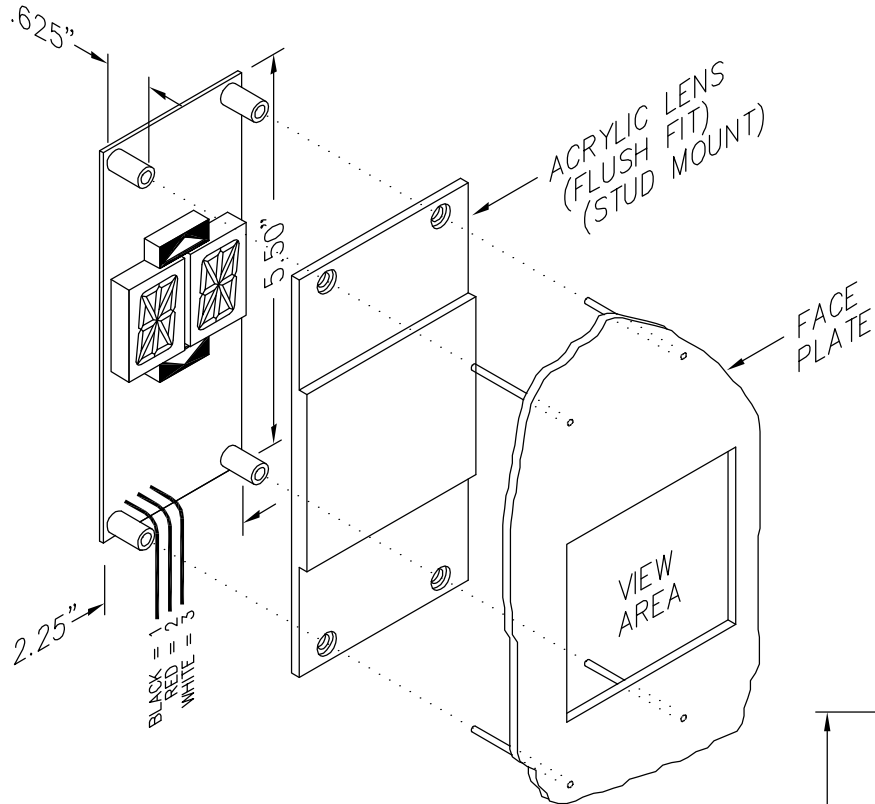


C.E. Electronics, Inc.
 2107 Industrial Drive
 Bryan, OH 43506
 PH (419) 636-6705 FX (419) 636-2516
 www.cееlectronics.com

MSV21-XX

Ver. 5 Rel. 11/26/08

MICRO COMM[®]
 DISPLAYS



1" CHARACTER

NOTE:

1. This is not a stand alone unit. Must be used in conjunction with a Micro Comm interface.

REMOTE DISPLAY INDICATOR "RDI"

Segmented LED, digital indicator for floor position display, as well as car direction. Any alphanumeric character can be displayed in either single or double digit floor designations.

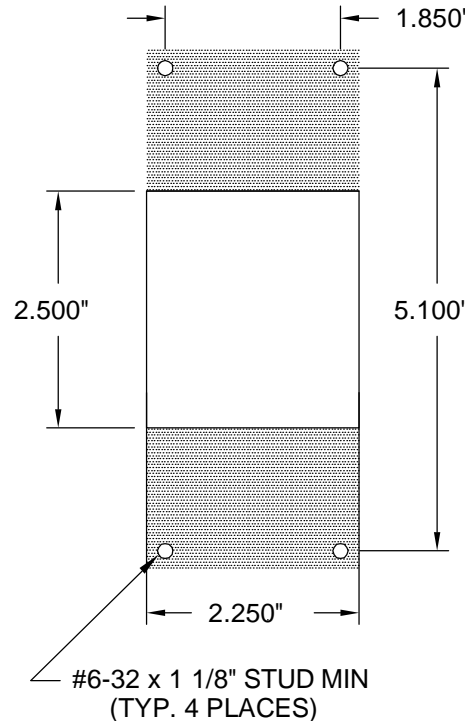
Typical Applications:

- Car-OP Panel
- Transom-car or Hall
- Surface mount fixtures

Features:

- Fast, 3-wire hookup
- Latched inputs
- Cross wire protected
- Self testing
- Alternate message
- Passing chime option by request only
- Error detection and correction feature

PANEL PREPARATION



#6-32 x 1 1/8" STUD MIN
 (TYP. 4 PLACES)

CUTOUT TOLERANCE: +.020
 - 0.0

RENEWAL PARTS

Lens: 104-0505 RED
 Lens: 104-6043 GRAY

TO ORDER - SPECIFY MSV21 - X X

*COLOR:

"R" = RED
 "A" = AMBER
 "G" = GREEN
 "B" = BLUE

LENS:

"R" = RED
 "G" = GRAY
 "X" = NO LENS

* Arrows supplied
 in RED.