

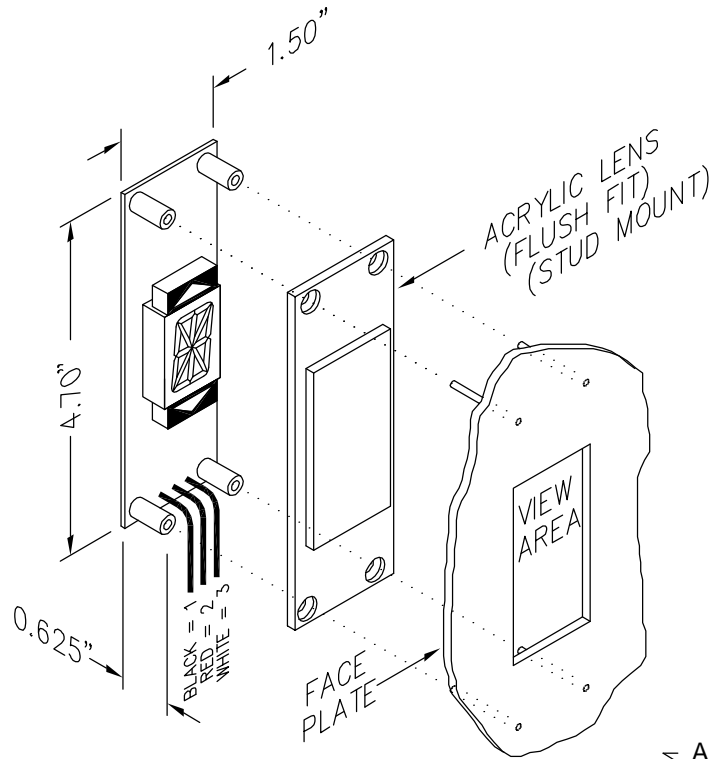


C.E. Electronics, Inc.
 2107 Industrial Drive
 Bryan, OH 43506
 PH (419) 636-6705 FX (419) 636-2516
 www.ceelectronics.com

MSV11-XX

Ver. 3 Rel. 11/26/08

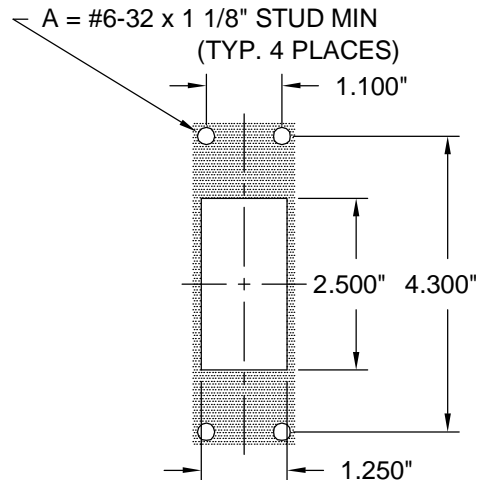
MICRO COMM[®]
 DISPLAYS



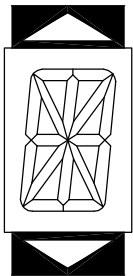
RENEWAL PARTS

Lens: 104-5548 RED
 Lens: 104-6048 GRAY

PANEL PREPARATION



CUTOUT TOLERANCE: +.020
 - 0.0



1" CHARACTER

REMOTE DISPLAY INDICATOR "RDI"

Segmented LED, digital indicator for floor position display, as well as car direction. Any alphanumeric character can be displayed in single digit floor designations.

Typical Applications:

- Car-OP Panel
- Transom-car or Hall
- Surface mount fixtures

Features:

- Fast, 3-wire hookup
- Latched inputs
- Cross wire protected
- Self testing
- Alternate message
- Passing chime option by request only
- Error detection and correction feature

TO ORDER - SPECIFY MSV11 - X X

*COLOR:

- "R" = RED
- "A" = AMBER
- "G" = GREEN
- "B" = BLUE

LENS:

- "R" = RED
- "G" = GRAY
- "X" = NO LENS

* Arrows supplied in RED.

NOTE:

1. This is not a stand alone unit. Must be used in conjunction with a Micro Comm interface.