

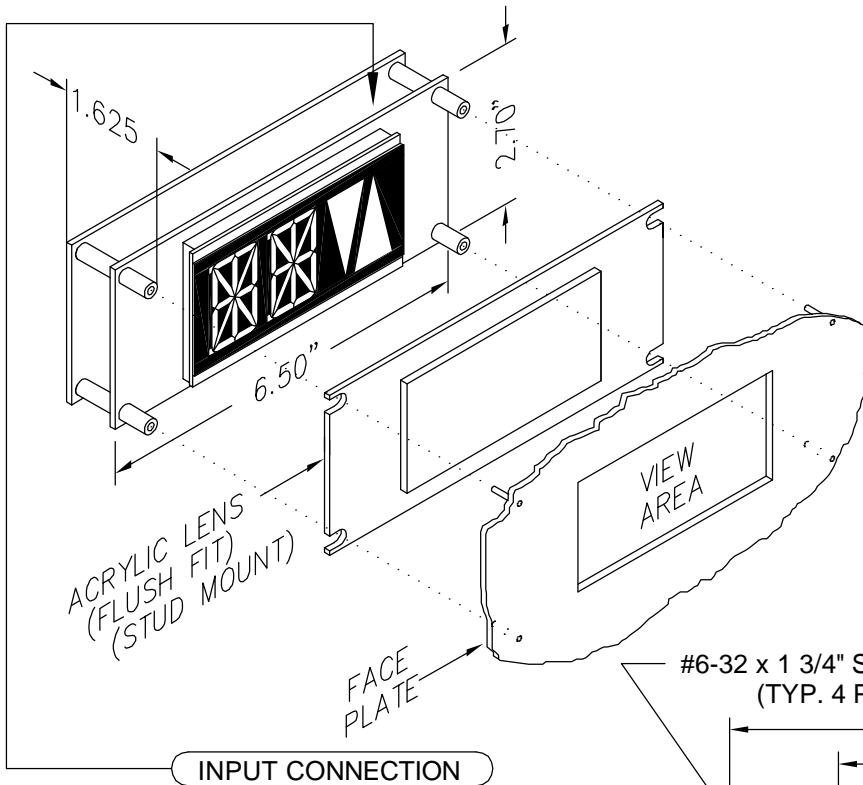


C.E. Electronics, Inc.  
 2107 Industrial Drive  
 Bryan, OH 43506  
 PH (419) 636-6705 FX (419) 636-2516  
 www.ceelectronics.com

# ML215-XX

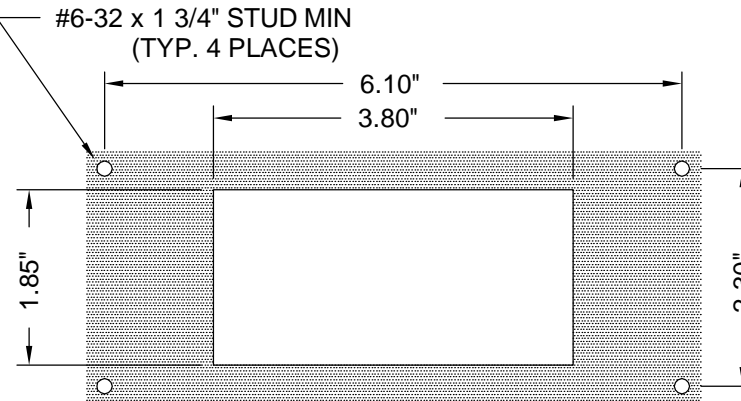
Ver. 4 Rel. 11/26/08

MICRO COMM<sup>®</sup>  
 DISPLAYS



### RENEWAL PARTS

- Lens: 104-7005 CLEAR
- Lens: 104-6117 GRAY



### BLACK BACKGROUND LIQUID CRYSTAL DISPLAY

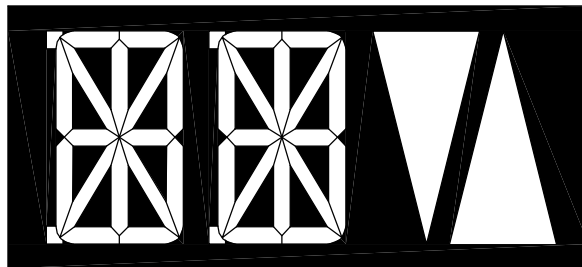
Liquid crystal display indicator for floor position as well as car direction. Any alphanumeric character and up/down arrows can be displayed in either single or double digit floor designations.

#### Typical Applications

- Car-OP Panel
- Transom
- Car and hall fixtures

#### Features

- Long life LED backlighting
- Fast, 3-wire hookup
- Latched inputs
- Cross wire protected
- Self testing
- Alternate message
- Passing chime output
- Error detection and correction feature



1.5" (40mm) LCD DISPLAY

### TO ORDER - SPECIFY ML215 - X X

#### DIGIT & ARROW COLOR:

- "R" = RED
- "A" = AMBER
- "G" = GREEN
- "B" = BLUE
- "W" = WHITE

#### LENS:

- "C" = CLEAR
- "G" = GRAY
- "X" = NO LENS

#### NOTE:

1. This is not a stand alone unit. Must be used in conjunction with a Micro Comm interface.