



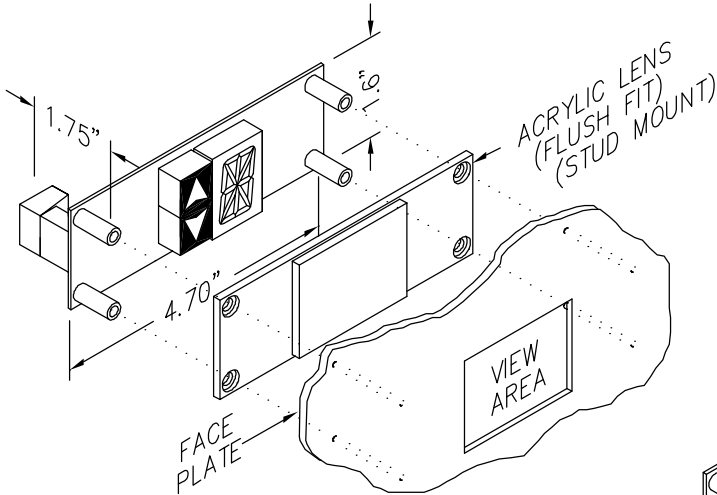
C.E. Electronics, Inc.
 2107 Industrial Drive
 Bryan, OH 43506
 PH (419) 636-6705 FX (419) 636-2516
 www.cееlectronics.com

MH510-XXX

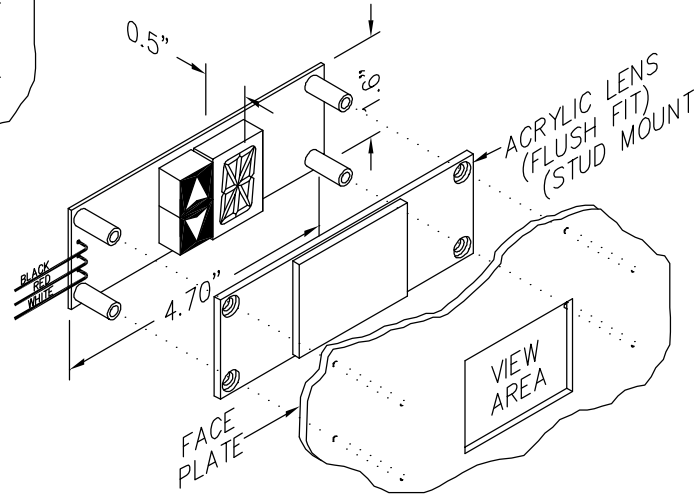
Ver. 2 Rel. 11/26/08

MICRO COMM[®]
 DISPLAYS

FOR FLUSH MOUNT APPLICATIONS

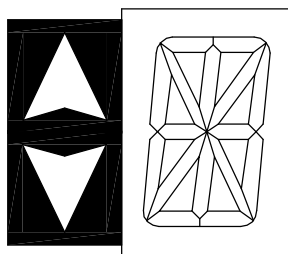


FOR SURFACE MOUNT APPLICATIONS



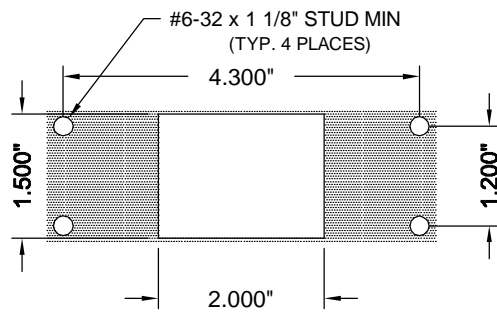
RENEWAL PARTS

- Lens: 104-5648 RED
- Lens: 104-6103 GRAY



1" CHARACTER

PANEL PREPARATION



CUTOUT TOLERANCE: +.020
 - 0.0

REMOTE DISPLAY INDICATOR "RDI"

Segmented LED, digital indicator for floor position display, as well as car direction. Any alphanumeric character can be displayed in single digit floor designations.

Typical Applications

- Car-OP Panel
- Transom-car or Hall

Features

- Fast, 3-wire hookup
- Latched inputs
- Cross wire protected
- Self testing
- Alternate message
- Passing chime option by request only
- Error detection and correction feature

TO ORDER - SPECIFY MH510 - X X X

- *COLOR:
 "R" = RED
 "A" = AMBER
 "G" = GREEN

- CONNECTION TYPE:
 "W" = WIRES (SURFACE MOUNT)
 "C" = CONNECTOR (FLUSH MOUNT)

- LENS:
 "R" = RED
 "G" = GRAY
 "X" = NO LENS

* Arrows supplied in RED.

NOTE:

1. This is not a stand alone unit. Must be used in conjunction with a Micro Comm interface.