

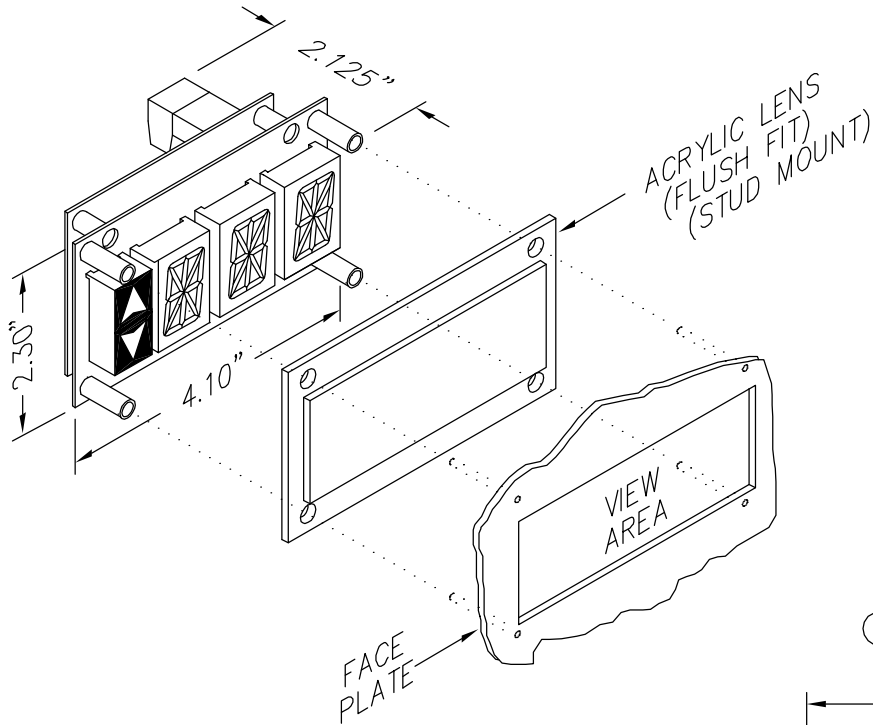


C.E. Electronics, Inc.
 2107 Industrial Drive
 Bryan, OH 43506
 PH (419) 636-6705 FX (419) 636-2516
 www.ceelectronics.com

MH410-XX

Ver. 3 Rel. 1/18/10

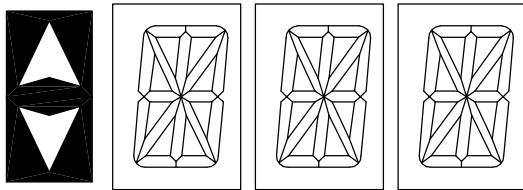
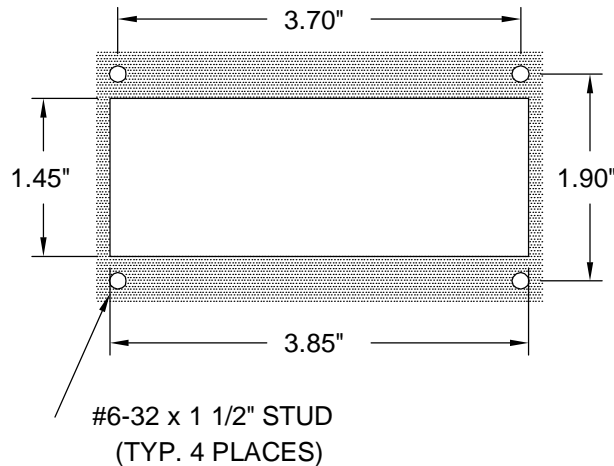
MICRO COMM[®]
 DISPLAYS



RENEWAL PARTS

- Lens: 104-5606 RED
- Lens: 104-6049 GRAY

PANEL PREPARATION



1" CHARACTER

REMOTE DISPLAY INDICATOR "RDI"

Segmented LED, digital indicator for floor position display, as well as car direction. Any alphanumeric character can be displayed in either single or multiple digit floor designations.

Typical Applications

- Car-OP Panel
- Transom-car or Hall

Features

- Fast, 3-wire hookup
- Latched inputs
- Cross wire protected
- Self testing
- Alternate message
- Passing chime output
- Low profile
- Error detection and correction feature

TO ORDER - SPECIFY MH410 - X X

*COLOR:
 "R" = RED
 "A" = AMBER
 "G" = GREEN
 "B" = BLUE

LENS:
 "R" = RED
 "G" = GRAY
 "X" = NO LENS

* Arrows supplied in RED.

CUTOUT TOLERANCE: +.020
 - 0.0

NOTE:

1. This is not a stand alone unit. Must be used in conjunction with a Micro Comm interface.