

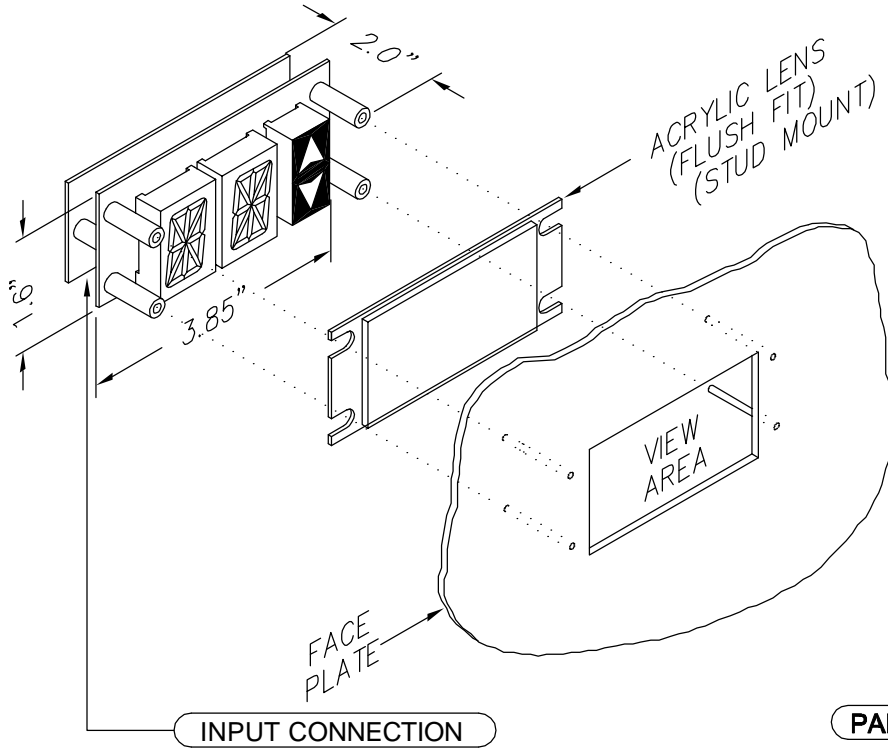


C.E. Electronics, Inc.
 2107 Industrial Drive
 Bryan, OH 43506
 PH (419) 636-6705 FX (419) 636-2516
 www.ceelectronics.com

MH310-XX

Ver. 4 Rel. 11/26/08

MICRO COMM[®]
 DISPLAYS



RENEWAL PARTS

- Lens: 104-5603 RED
- Lens: 104-6003 GRAY

REMOTE DISPLAY INDICATOR "RDI"

Segmented LED, digital indicator for floor position display, as well as car direction. Any alphanumeric character can be displayed in either single or double digit floor designations.

Typical Applications

- Car-OP Panel
- Transom-car or Hall

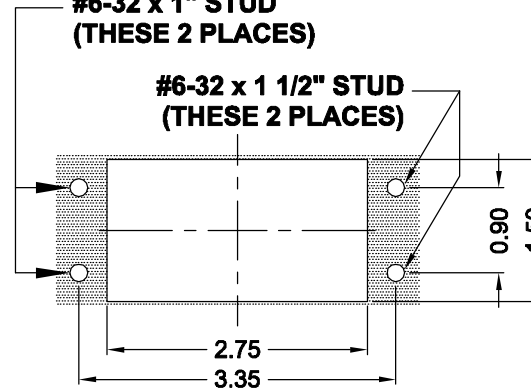
Features

- Fast, 3-wire hookup
- Latched inputs
- Cross wire protected
- Self testing
- Alternate message
- Passing chime output
- Low profile
- Error detection and correction feature

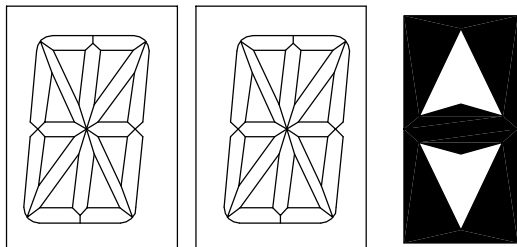
PANEL PREPARATION

#6-32 x 1" STUD
 (THESE 2 PLACES)

#6-32 x 1 1/2" STUD
 (THESE 2 PLACES)



CUTOUT TOLERANCE: +.020
 -0.0



1" CHARACTER

TO ORDER - SPECIFY MH310 - X X

*COLOR:
 "R" = RED
 "A" = AMBER
 "G" = GREEN
 "B" = BLUE

LENS:
 "R" = RED
 "G" = GRAY
 "X" = NO LENS

* Arrows supplied
 in RED.

NOTE:

1. This is not a stand alone unit. Must be used in conjunction with a Micro Comm interface.