

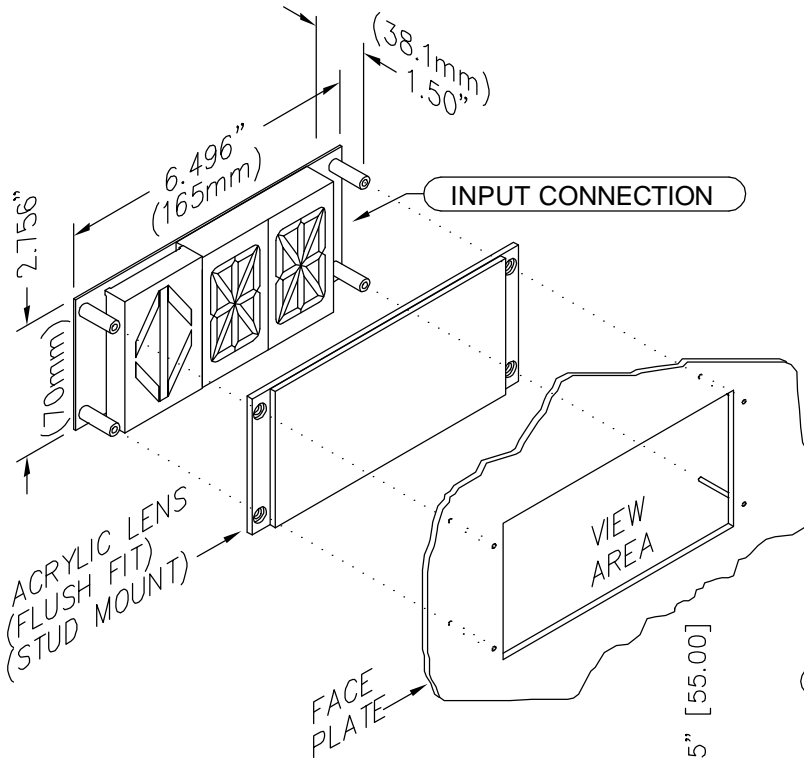


C.E. Electronics, Inc.
 2107 Industrial Drive
 Bryan, OH 43506
 PH (419) 636-6705 FX (419) 636-2516
 www.cseelectronics.com

MH222E-XXXX

Ver. 5 Rel. 1/09/09

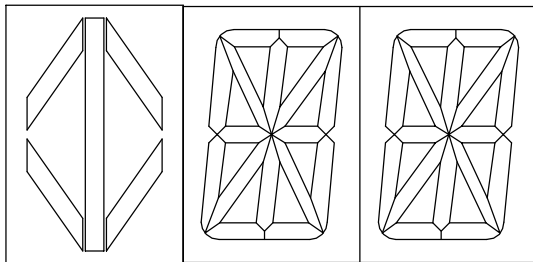
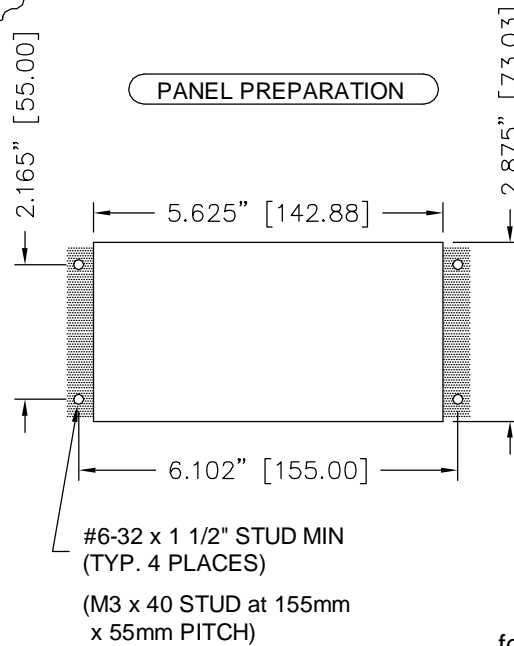
MICRO COMM[®]
 DISPLAYS



RENEWAL PARTS

Lens: 104-5602M RED
 Lens: 104-6002M GRAY

PANEL PREPARATION



2.2" CHARACTERS
 2.5" ARROW

REMOTE DISPLAY INDICATOR "RDI"

Segmented LED, digital indicator for floor position display. Any alphanumeric character can be displayed in either single or double digit floor designations.

Typical Applications:

- Car-OP Panel
- Transom-car or Hall

Features:

- Fast, 3-wire hookup
- Latched inputs
- Cross wire protected
- Self testing
- Alternate message
- Passing chime output
- Error detection and correction feature
- Reduced PC board height

TO ORDER - SPECIFY MH222E - X X X X

COLOR:

"RR" = RED CHARACTER, RED ARROW
 "GR" = GREEN CHARACTER, RED ARROW
 "GG" = GREEN CHARACTER, GREEN ARROW
 "RG" = RED CHARACTER, GREEN ARROW
 "BB" = BLUE CHARACTER, BLUE ARROW

LENS:

"R" = RED
 "G" = GRAY
 "X" = NO LENS

for surface mount app. —> "W" = WIRE CONNECTIONS
 <BLANK> = GREEN CONNECTOR

NOTE:

1. This is not a stand alone unit. Must be used in conjunction with a Micro Comm interface.

CUTOUT TOLERANCE: +.020
 - 0.0