

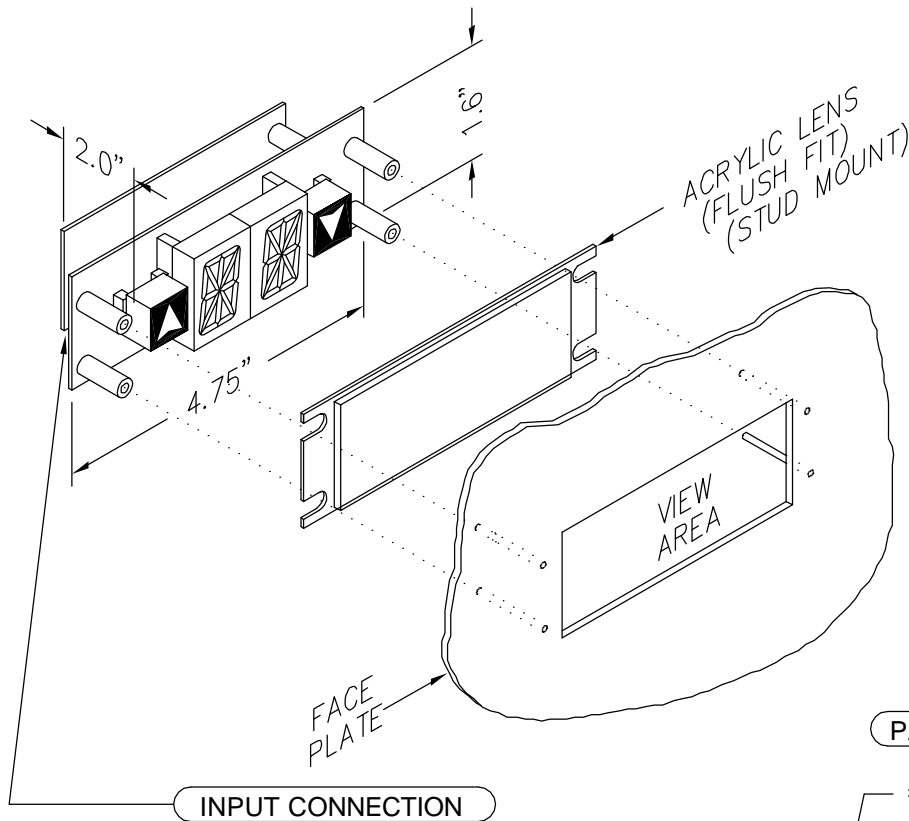


C.E. Electronics, Inc.
 2107 Industrial Drive
 Bryan, OH 43506
 PH (419) 636-6705 FX (419) 636-2516
 www.ceelectronics.com

MH210-XX

Ver. 3 Rel. 11/26/08

MICRO COMM[®]
 DISPLAYS



REMOTE DISPLAY INDICATOR "RDI"

Segmented LED, digital indicator for floor position display. Any alphanumeric character can be displayed in single digit floor designations.

Typical Applications

- Car-OP Panel
- Transom-car or Hall

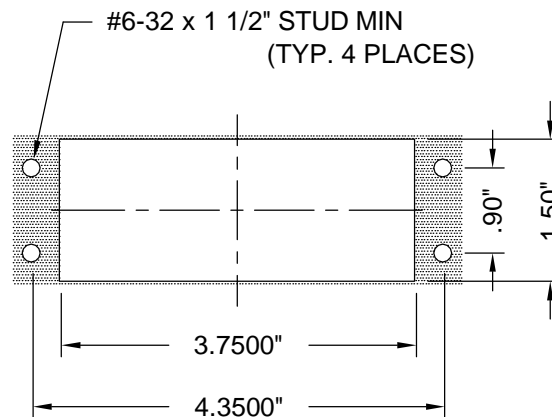
Features

- Fast, 3-wire hookup
- Latched inputs
- Cross wire protected
- Self testing
- Alternate message
- Passing chime output
- Error detection and correction feature

RENEWAL PARTS

- Lens: 104-5607 RED
- Lens: 104-6007 GRAY

PANEL PREPARATION



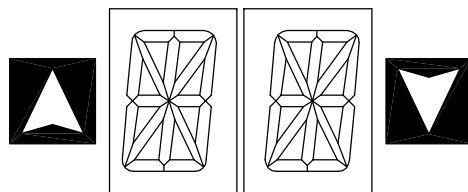
CUTOUT TOLERANCE: +.020
 - 0.0

TO ORDER - SPECIFY MH210 - X X

*COLOR:
 "R" = RED
 "A" = AMBER
 "G" = GREEN
 "B" = BLUE

LENS:
 "R" = RED
 "G" = GRAY
 "X" = NO LENS

* Arrows supplied
 in RED.



1" CHARACTER

NOTE:

1. This is not a stand alone unit. Must be used in conjunction with a Micro Comm interface.