

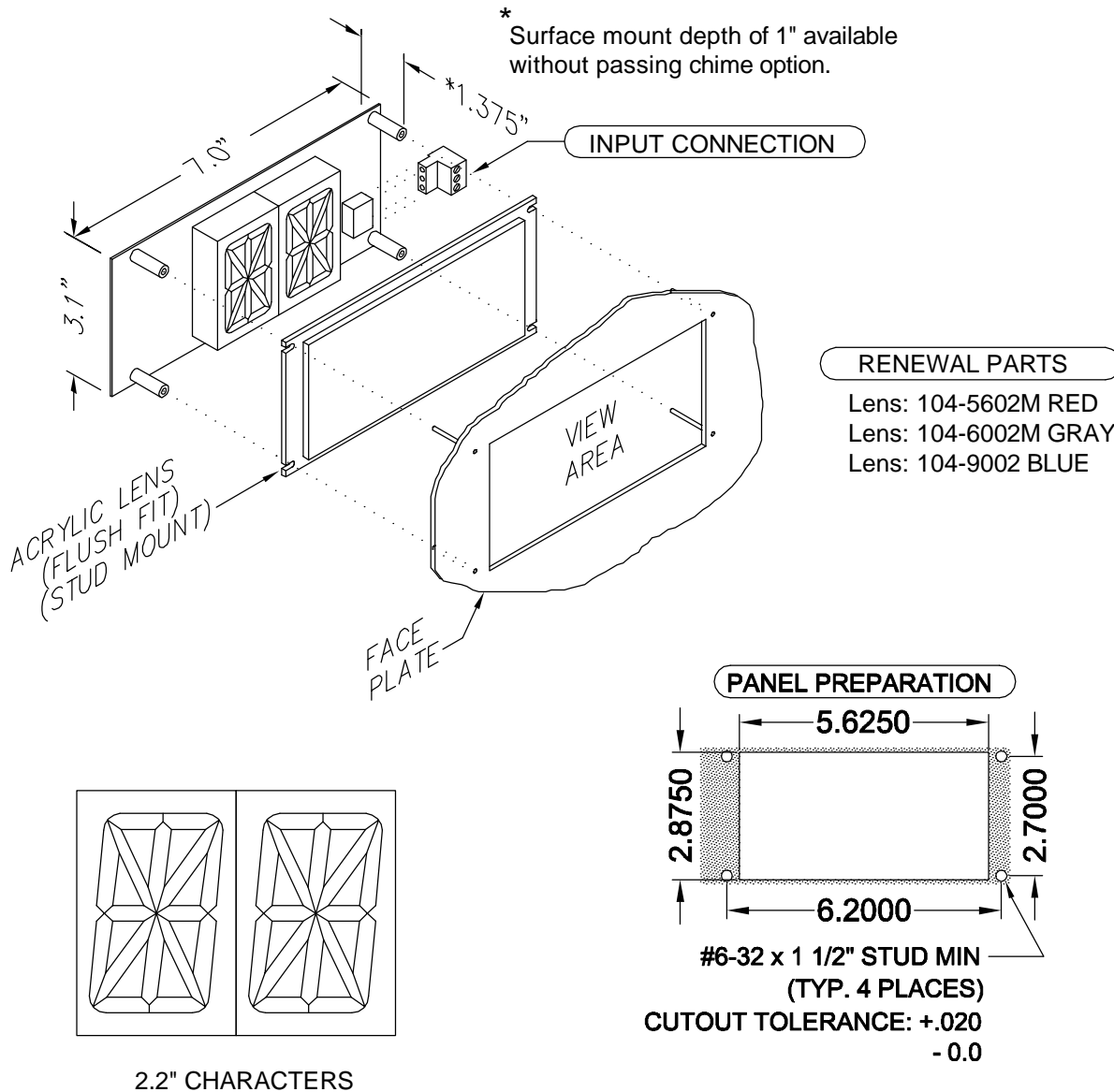


C.E. Electronics, Inc.
 2107 Industrial Drive
 Bryan, OH 43506
 PH (419) 636-6705 FX (419) 636-2516
 www.ceelectronics.com

MH122-XX

Ver. 5 Rel. 04/26/10

MICRO COMM[®]
 DISPLAYS



REMOTE DISPLAY INDICATOR "RDI"

Segmented LED, digital indicator for floor position display. Any alphanumeric character can be displayed in either single or double digit floor designations.

Typical Applications:

- Car-OP Panel
- Transom-car or Hall
- Surface mount fixtures

Features:

- Ultra-thin package
- Fast, 3-wire hookup
- Latched inputs
- Cross wire protected
- Self testing
- Alternate message
- Passing chime output
- Error detection and correction feature

TO ORDER - SPECIFY MH122 - XX

COLOR:
 "R" = RED
 "G" = GREEN
 "B" = BLUE

LENS:
 "R" = RED
 "G" = GRAY
 "B" = BLUE
 "X" = NO LENS

NOTE:

1. This is not a stand alone unit. Must be used in conjunction with a Micro Comm interface.